

Spare parts catalogue **1100^{EVO}** ABS

Model year 2012
U.S.A.



MONSTER

Revision n°00

Spare parts catalogue part number: 915.1.319.1B

GENERAL INFORMATION

The present spare parts order exactly the right spare parts

When ordering specify:

1) the part's code number followed by its description; quantity needed;

2) the motorcycle's serial number, stamped on the steering head.

Reference to right and left apply to the vehicle in terms of its direction of movement.

Spare parts drawings are general and do not represent the part.

The contents of this catalogue are general and can undergo changes without prior notice.

VALIDITY

f.m. Until V.I.N.
d.m. From V.I.N.
f.m.m. Up to engine number
d.m.m. From engine number

LIST

CAL California
CDN Canada

Ducati Motor Holding S.p.A.
Commercial and Administration Office:
Via A. Cavalieri Ducati n. 3
40132 Bologna, Italy
Telefono 051 6413111
Fax 051 406580
Internet www.ducati.com

CATALOGUE No: 915.1.319.1B
ISSUED: 02 - 11

CATALOGUE No: 915.1.319.1B
ISSUED: 02 - 11



Paint	Code
-------	------

Red and Matt Carbon
"Smalto Rosso Ducati"

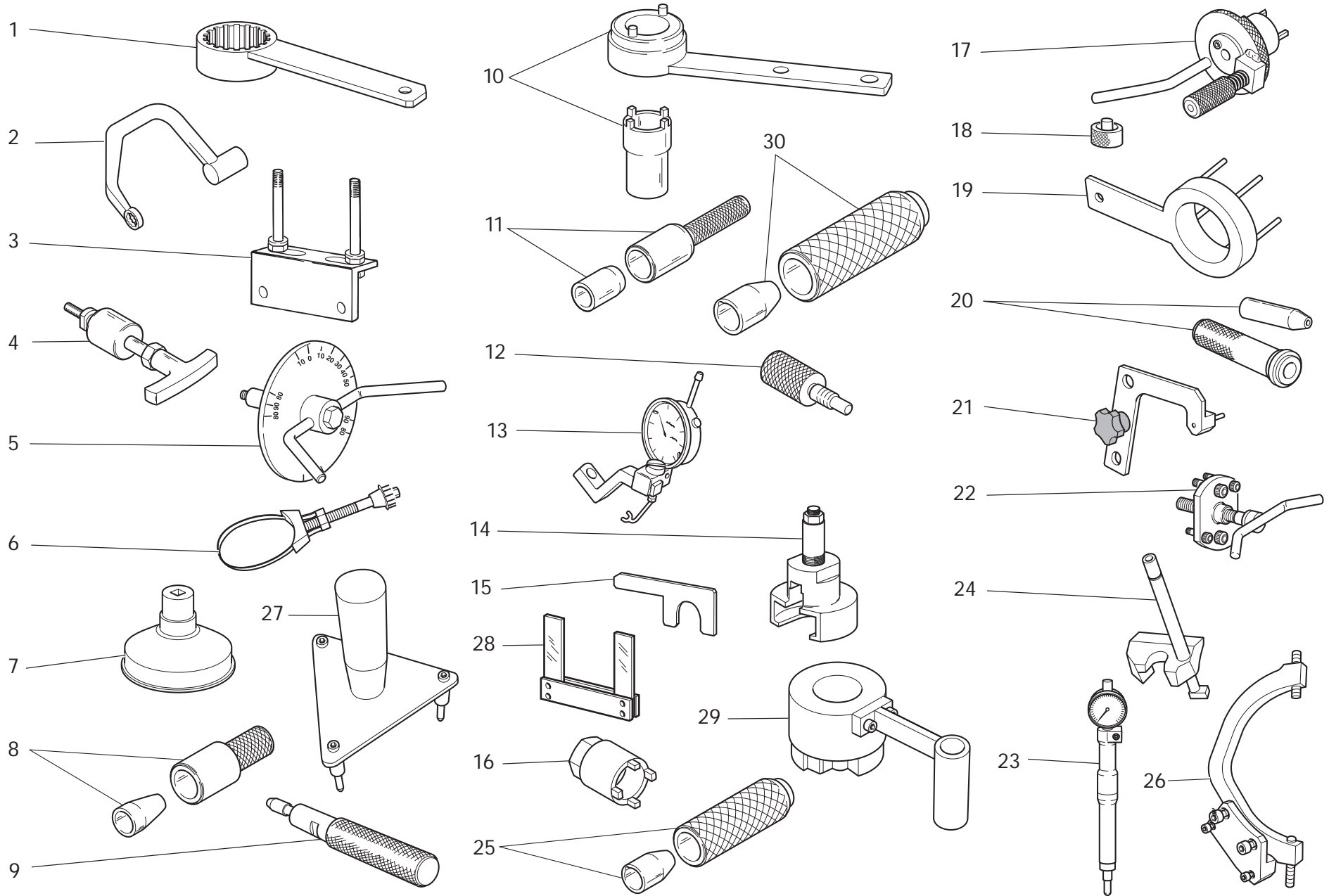
(AKZO) 54D234015

Glossy and Matt Carbon
"Smalto Pearl White Silk"


(AKZO) 53E23102

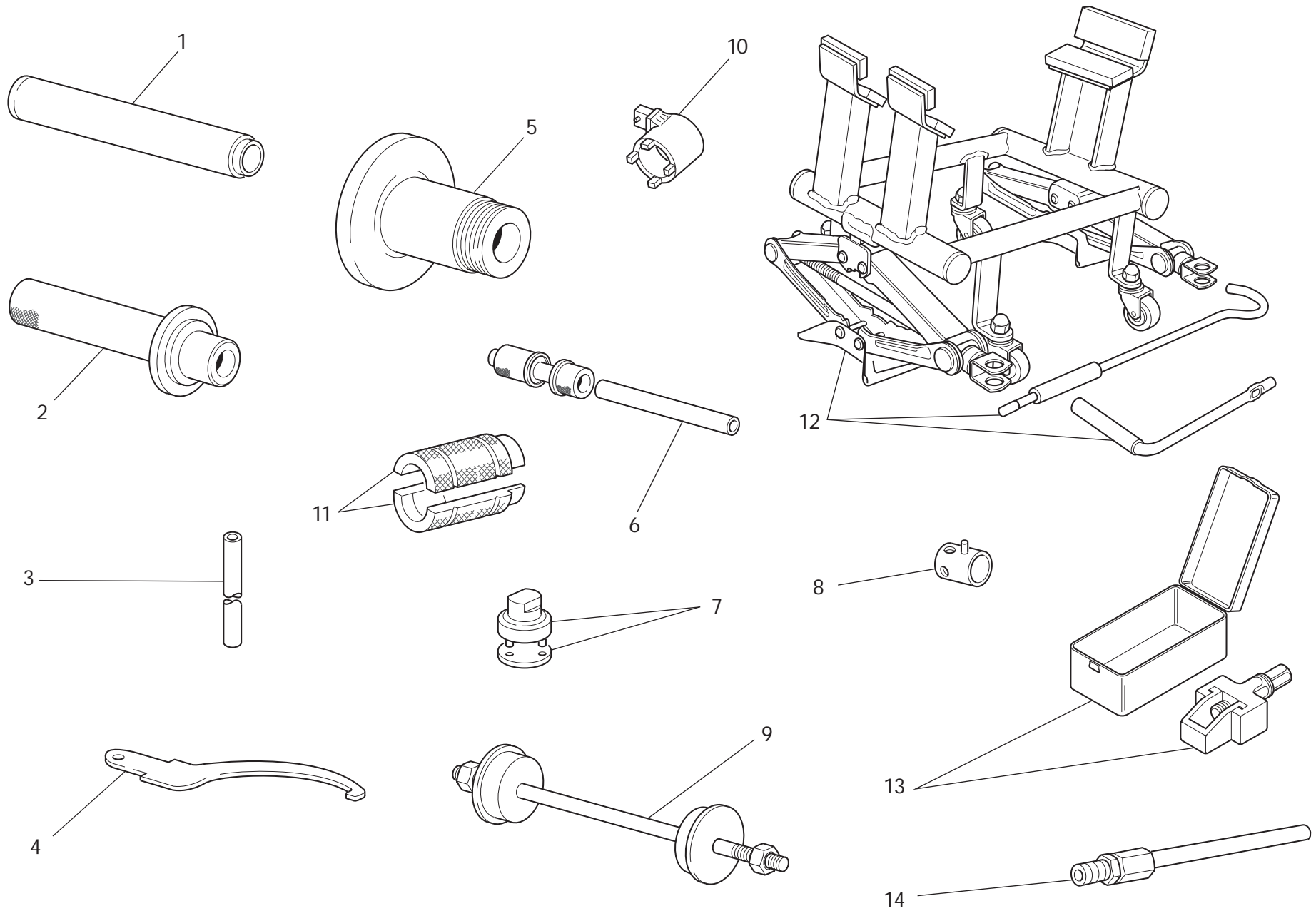
page		Contents
4	001	Workshop service tools
6	001a	Workshop service tools
8	001b	Dds tester
10	001c	Workshop service tools
12	002	Gearchange control
14	003	Gearbox
16	004	Clutch
18	005	Clutch-side crankcase cover
20	006	Connecting rods
22	007	Cylinders - pistons
24	008	Timing system
26	009	Filters and oil pump
28	010	Crankcase halves
32	011	Alternator-side crankcase cover
34	012	Electric starting and ignition
36	013	Cylinder head : timing system
38	014	Vertical cylinder head
40	015	Horizontal cylinder head
42	016	Intake manifolds
44	017	Stands
46	018	Electrical system
48	019	Battery support
50	020	Exhaust system
52	021	Instrument panel - headlight fairing
54	022	Headlight
56	023	Number plate holder - tail light
58	024	Front forks
60	025	Front and rear wheels
62	025a	Rear wheel axle
64	026	Handlebar and controls
66	027	Clutch control
68	028	Front brake
70	028a	Antilock braking system (abs)
72	029	Rear brake
74	030	Frame
76	031	L.h. footrests
78	031a	R.h. footrests
80	032	Swingarm
82	033	Rear suspension
84	034	Air intake - oil breather
86	035	Fuel tank
88	036	Fuel system
90	037	Seat
92	038	Fuel tank (cover)
94	039	Oil cooler
96	040	Evaporative emissions canister
98	041	Data plate positions

DRAWING 001 Workshop service tools





NOTES NO.	CODE NO.	DESCRIPTION	VALIDITY	Q.TY 
1	88713.3218	Wrench for holding timing belt rollers ring nuts		1
2	88713.2676	Head nuts holder wrench		1
3	88713.2103	Head mounting base		1
4	88713.1994	Rocker shaft extractor		1
5	88765.1657	Degree wheel holder tool for ignition advance check		1
6	88713.2906	Wrench to tighten oil filter cartridge		1
7	88713.0944	Wrench to tighten oil filter cartridge		1
8	88713.2672	Seal ring driving tool		1
9	88713.2442	Tool to drive valve seal ring ø7		1
10	88713.1805	Driving roller tightening tool		1
11	88713.3521	Punch tool for driving seal ring		1
12	88713.2282	Belt roller timing of two-valva head		1
13	88765.1581	Valve lift gauge		1
14	88713.2092	Extractor for primary drive gear		1
15	88713.2878	Spacer and fork feeler gauge 0,2/0,3 mm		1
16	88713.2422	Wrench for tightening primary transmission ring nut		1
17	88713.2011	Tool to hold crankshaft in TDC position		1
18	88765.1298	Spacer for checking lower valve shim		1
19	88713.3417	Torque wrench		1
20	88700.5749	Crankcases assembling cap		1
21	88713.3334	Plate for positioning gear engagement fork		1
22	88713.1749	Drive roller puller		1
23	88713.2090	T.D.C. control gauge		1
24	88713.2916	Tool for assembling closing rocker and spring		1

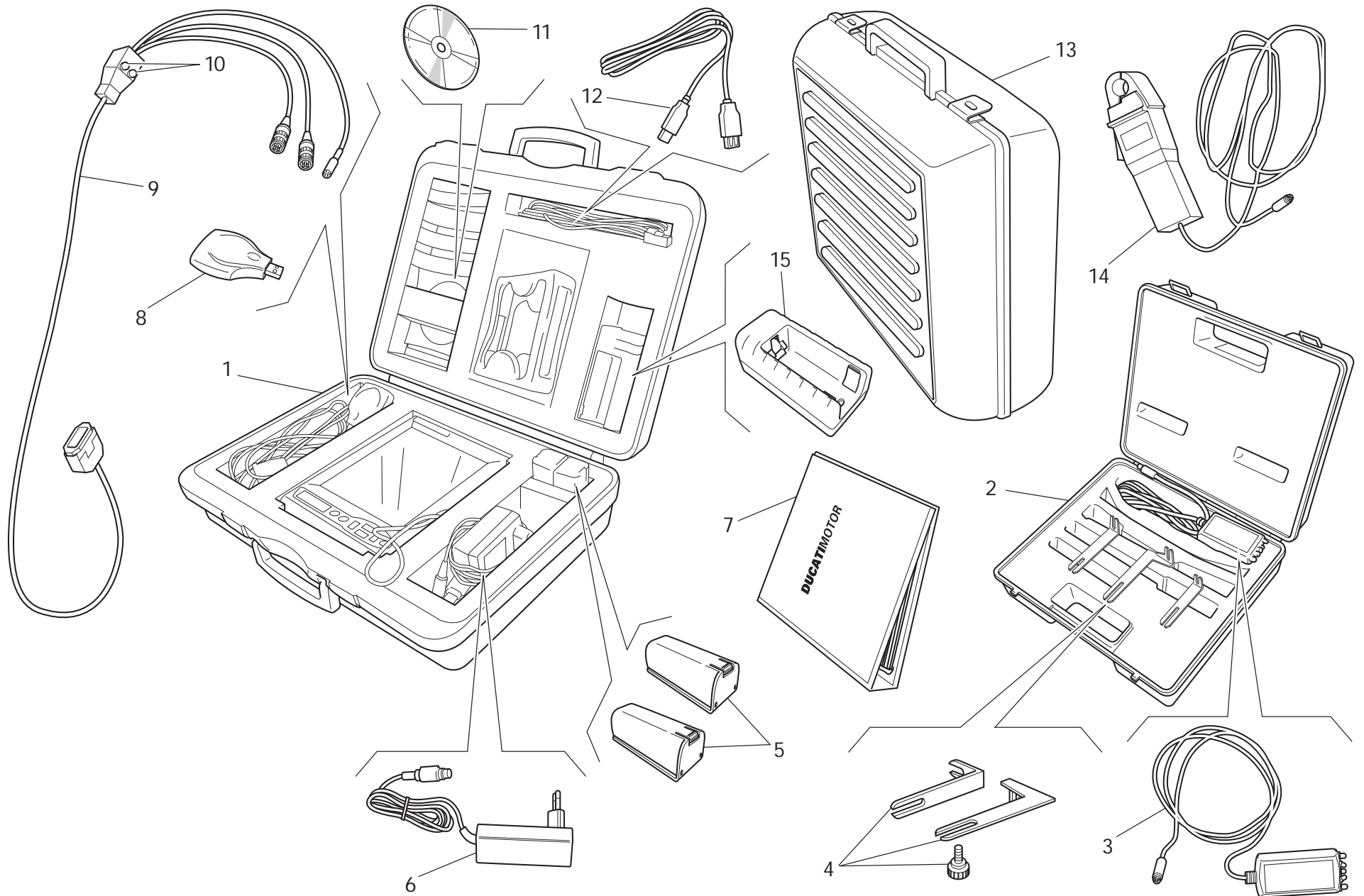
NOTES NO.	CODE NO.	DESCRIPTION	VALIDITY	Q.TY 
25	88713.3394	Snap ring installation tool		1
26	88713.3367	Flywheel Wrench		1
27	88713.3352	Tool for timing (Clutch plates set)		1
28	88765.1000	Fork feeler gauge 0.1 mm		1
28	88765.1005	Fork feeler gauge 0,2 mm		1
28	88765.1006	Fork feeler gauge 0.3 mm		1
29	88713.3408	Reaction tool for wet "FCC" clutch		1
30	88713.2834	Snap ring installation tool		1



DRAWING **001a** Workshop service tools


NOTES NO.	CODE NO.	DESCRIPTION	VALIDITY	Q.TY 
1	88713.1072	Stopper for driving the half bearing of the steering head base		1
2	88713.1068	Stopper for assembling the rear fork roller bearings		1
3	88713.3203	Draw bar for MARZOCCHI forks overhauling		1
4	88713.1038	Wrench for adjusting the eccentric hub		1
5	88713.1073	Tool for balancing rear wheel		1
6	88713.2409	Tool for assembling the swingarm ball bearings		1
7	88713.1058	Wrench for assembling the steering head cap		1
8	8000.70139	Wrench for front wheel spindle		1
9	88713.1062	Tool for assembling the steering head bearings		1
10	88713.3166	Wrench for tightening frame ring nut		1
11	88713.3204	Tool for overhauling MARZOCCHI forks - assembling seal ring		1
12	88713.3396	Bench for engine repair		1
13	88713.1344	Tool for assembling chain		1
14	88713.1010	Union for exhaust gas suction		1

NOTES NO.	CODE NO.	DESCRIPTION	VALIDITY	Q.TY 
-----------	----------	-------------	----------	--

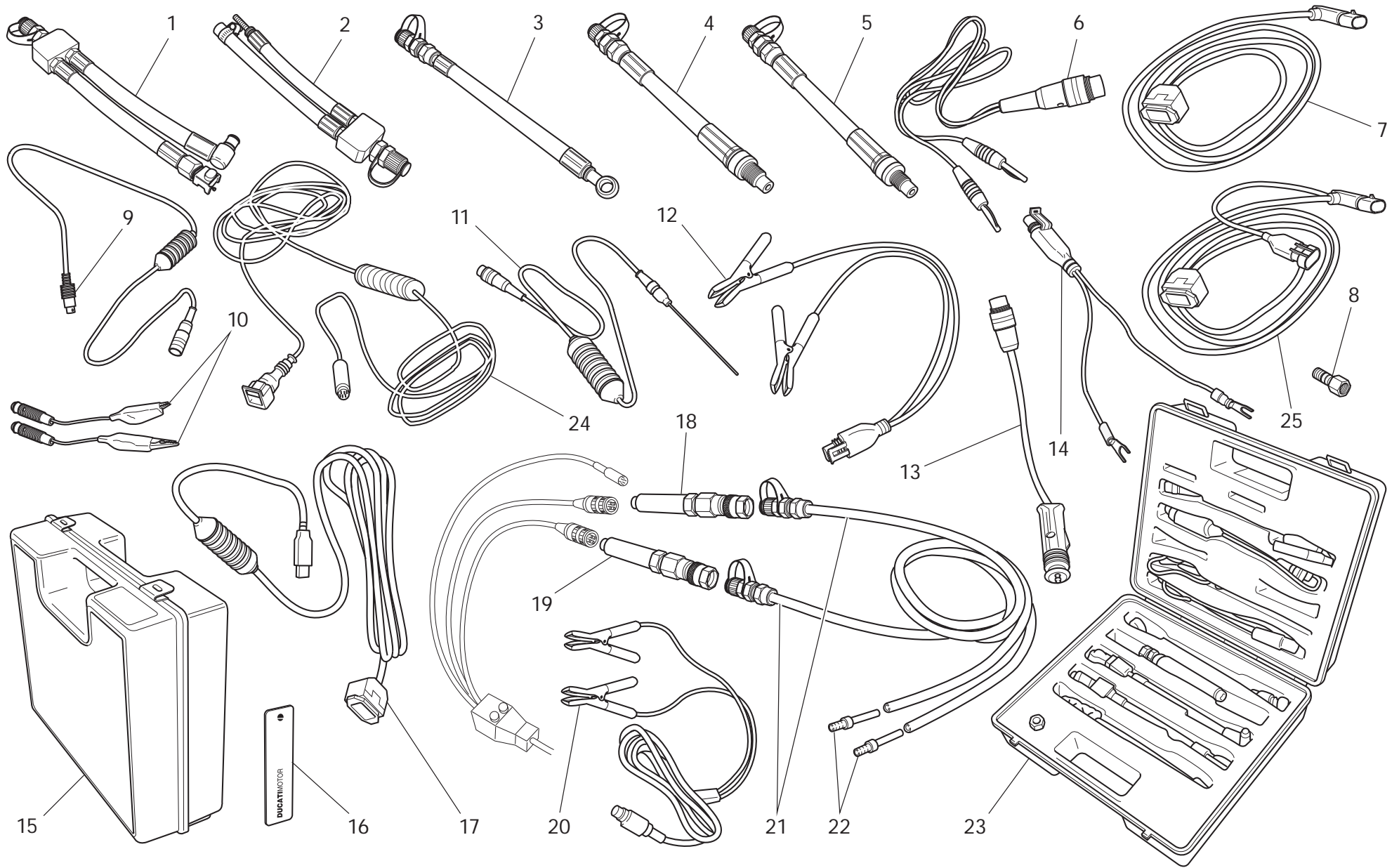


DRAWING **001b**

Dds tester


NOTES NO.	CODE NO.	DESCRIPTION	VALIDITY	Q.TY 
1	97900.0215	DDS (Ducati Diagnosis System) + manifold vacuum meter. kit		1
2	97900.0002	Belt tensioning kit		1
3	88765.1371	Sensor		1
4	88765.1374	Bracket		1
5	97900.0216	Battery		2
6	97900.0224	Feeder		1
7	97900.0232	DDS manual		1
8	97900.0225	(USB) Memory card reader		1
9	97900.0222	Main cable 1060838		1
10	97900.0219	Fuse		2
11	97900.0223	Software DDS CD		1
12	97900.0226	(USB) Cable extension		1
13	97900.0229	Black case with sponge rubber		1
14	97900.0234	Amperometer plier		1
15	97900.0217	Battery charger		1

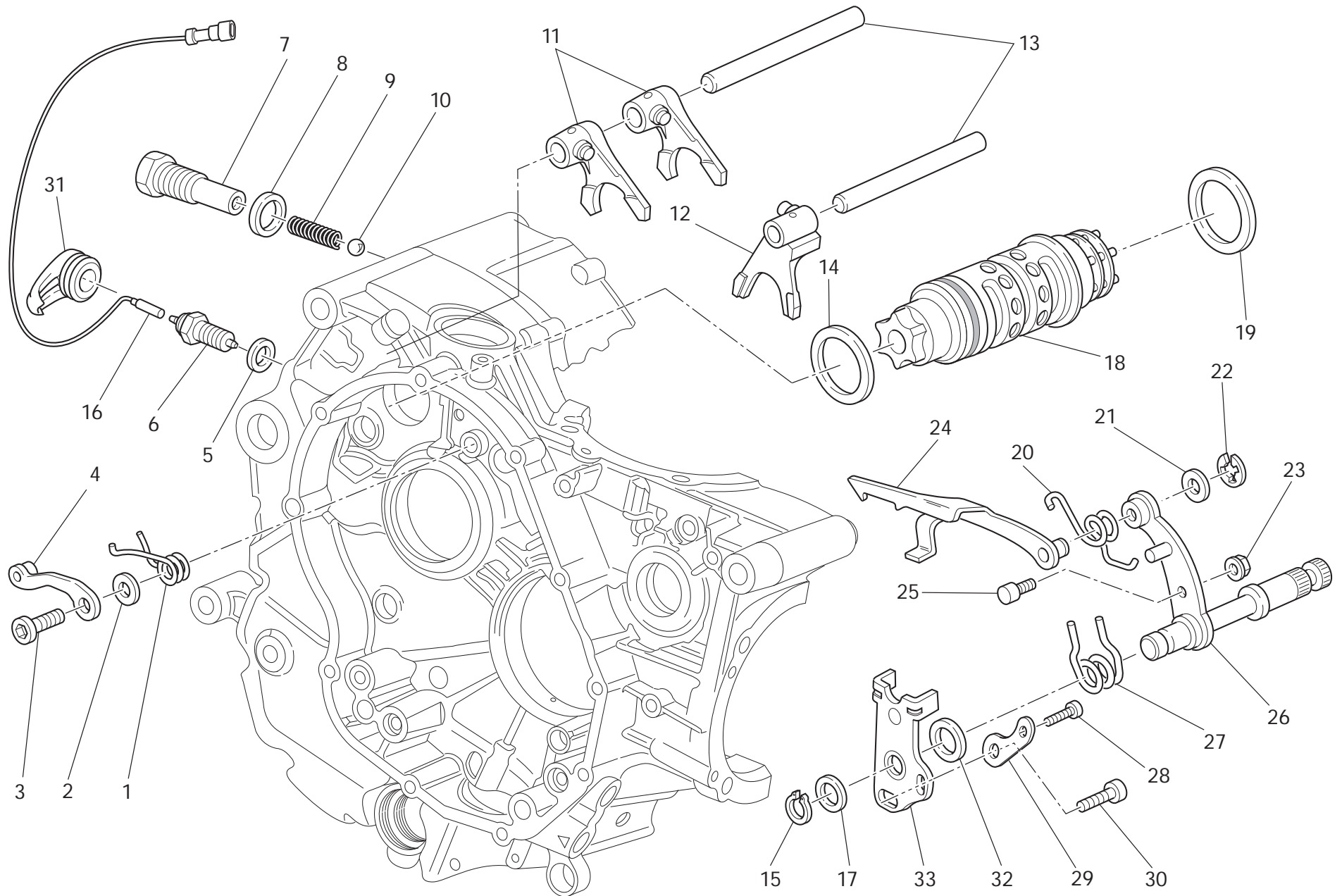
NOTES NO.	CODE NO.	DESCRIPTION	VALIDITY	Q.TY 
-----------	----------	-------------	----------	--



DRAWING **001c** Workshop service tools

NOTES NO.	CODE NO.	DESCRIPTION	VALIDITY	Q.TY 
1	590.1.189.1A	Fuel pressure line HS.		1
2	590.1.190.1A	Fuel pressure line ST/SS/M.		1
3	875.1.065.1A	Oil pressure line		1
4	552.1.037.1A	Fitting - cylinder compression M12		1
5	552.1.038.1A	Fitting - cylinder compression M10		1
6	514.1.037.1A	Cable Volt PF DUC 21		1
7	97900.0227S	Main cable (SIEMENS)		1
8	814.1.114.1A	Oil pressure fitting		1
9	514.1.032.1A	Cable for supplementary tests		1
10	514.1.035.1A	Red clamp cable		1
10	514.1.036.1A	Black clamp cable		1
11	552.1.040.1A	Temperature probe		1
12	97900.0228	Battery connection adapter		1
13	514.1.033.1A	Electric lighter connection adapter (ST)		1
14	514.1.038.1A	Battery connection adapter		1
15	698.1.033.1A	Red case with sponge rubber		1
16	88765.1126T	DUCATI sticker RH/LH side		2
17	97900.0231	(USB) Adaptor		1
18	97900.0218	Depressure sensor		1
19	552.1.039.1A	Pressure sensor		1
20	97900.0230	Feeder		1
21	97900.0220	Depressure/pressure line		2
22	97900.0221	Union		4
23	97900.0003	Pressure kit		1
24	88765.1126C	Cable for potentiometer adjustment		1
25	97900.0227	Main cable (MARELLI) (ABS)		1


NOTES NO.	CODE NO.	DESCRIPTION	VALIDITY	Q.TY 
-----------	----------	-------------	----------	--



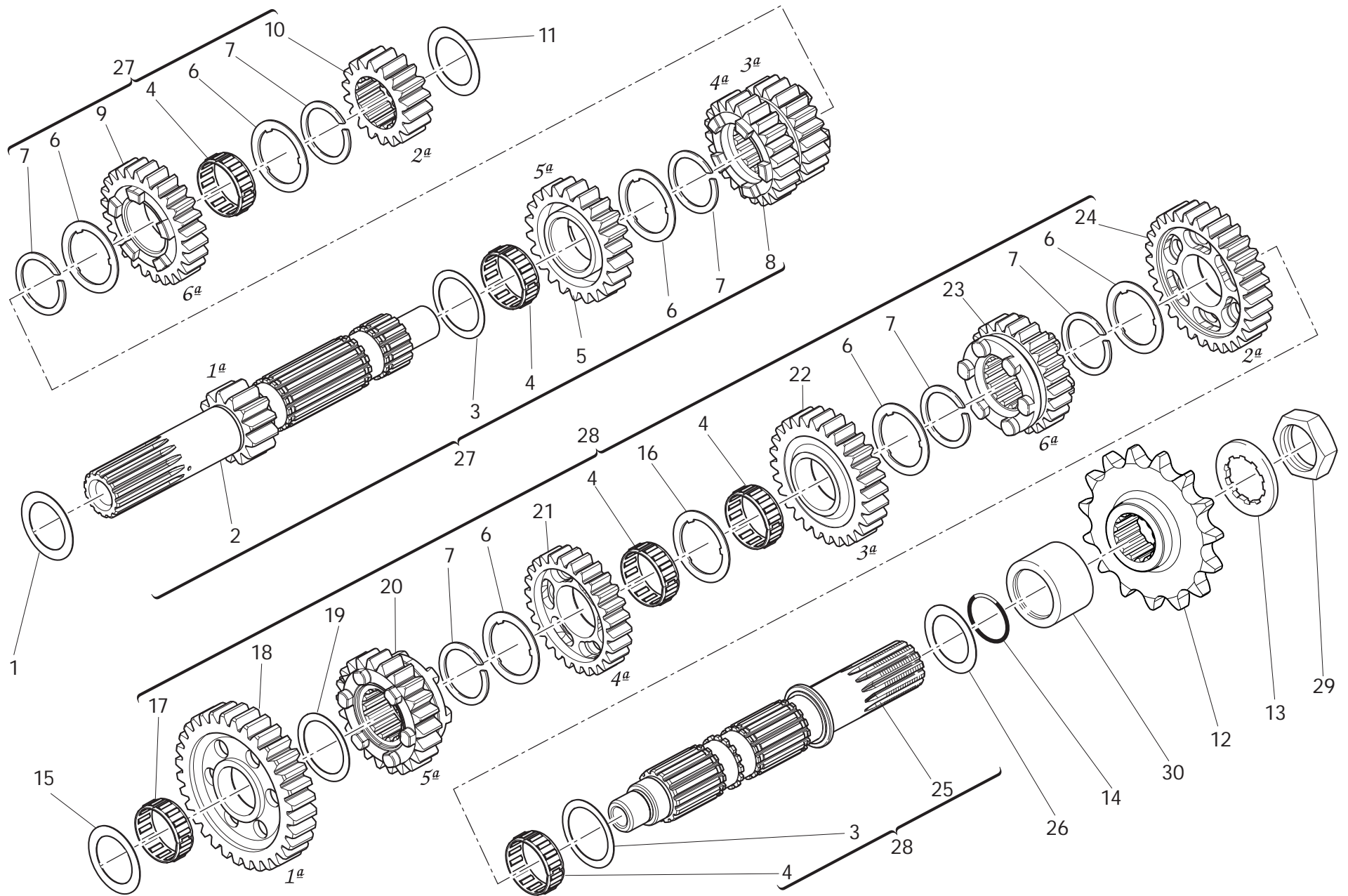
DRAWING **002** Gearchange control

NOTES NO.	CODE NO.	DESCRIPTION	VALIDITY	Q.TY 
1	799.1.049.1A	Return spring		1
2	852.1.053.2A	Washer		1
3	779.1.039.1A	Special screw		1
4	455.2.003.1A	Gear stopper assembly		1
5	852.5.024.1A	Gasket th.1		1
6	539.1.021.1B	Neutral indicator switch		1
7	779.1.203.3A	Special screw		1
8	0272.91.090	Gasket		1
9	0660.13.143	Gear selector spring		1
10	76835.1134	Ball		1
11	180.Z.003.1A	1st,4th-2nd,3rd gear selector fork		2
12	180.Z.004.1A	5th,6th gear selector fork		1
13	0660.13.070	Fork pin		2
14	852.1.005.1A	Shim th. 1		1
15	73500.1542	Circlip		1
16	510.1.658.1A	Wiring		1
17	0400.29.125	Shim th. 0.2		2
17	0400.29.126	Shim th. 0.5		1
18	182.Z.001.1A	Complete gearbox drum		1
19	852.1.094.1A	Shim th. 0.9		1
20	799.1.482.1A	Fork return spring		1
21	0400.09.050	Shim th. 0.5		1
21	0765.92.205	Shim th. 0.2		2
22	884.5.034.1A	Ring		1
23	748.1.040.1A	Nut		1
24	180.1.008.1A	Gearbox drum control fork		1
25	0660.13.165	Gearchange lever pin		1

CATALOGUE No: 915.1.319.1B
ISSUED: 02 - 11

NOTES NO.	CODE NO.	DESCRIPTION	VALIDITY	Q.TY 
26	821.1.001.1A	Pin with gearchange lever		1
27	0799.13.110	Gearchange lever return spring		1
28	771.5.067.0Z	Screw		1
29	713.1.915.1A	Spacer		1
30	771.5.125.0Z	Screw		1
31	758.1.045.1A	Fairlead		1
32	881.1.012.1A	Centering ring		1
33	826.1.029.2A	Stopper plate		1


CATALOGUE No: 915.1.319.1B
ISSUED: 02 - 11



DRAWING **003**

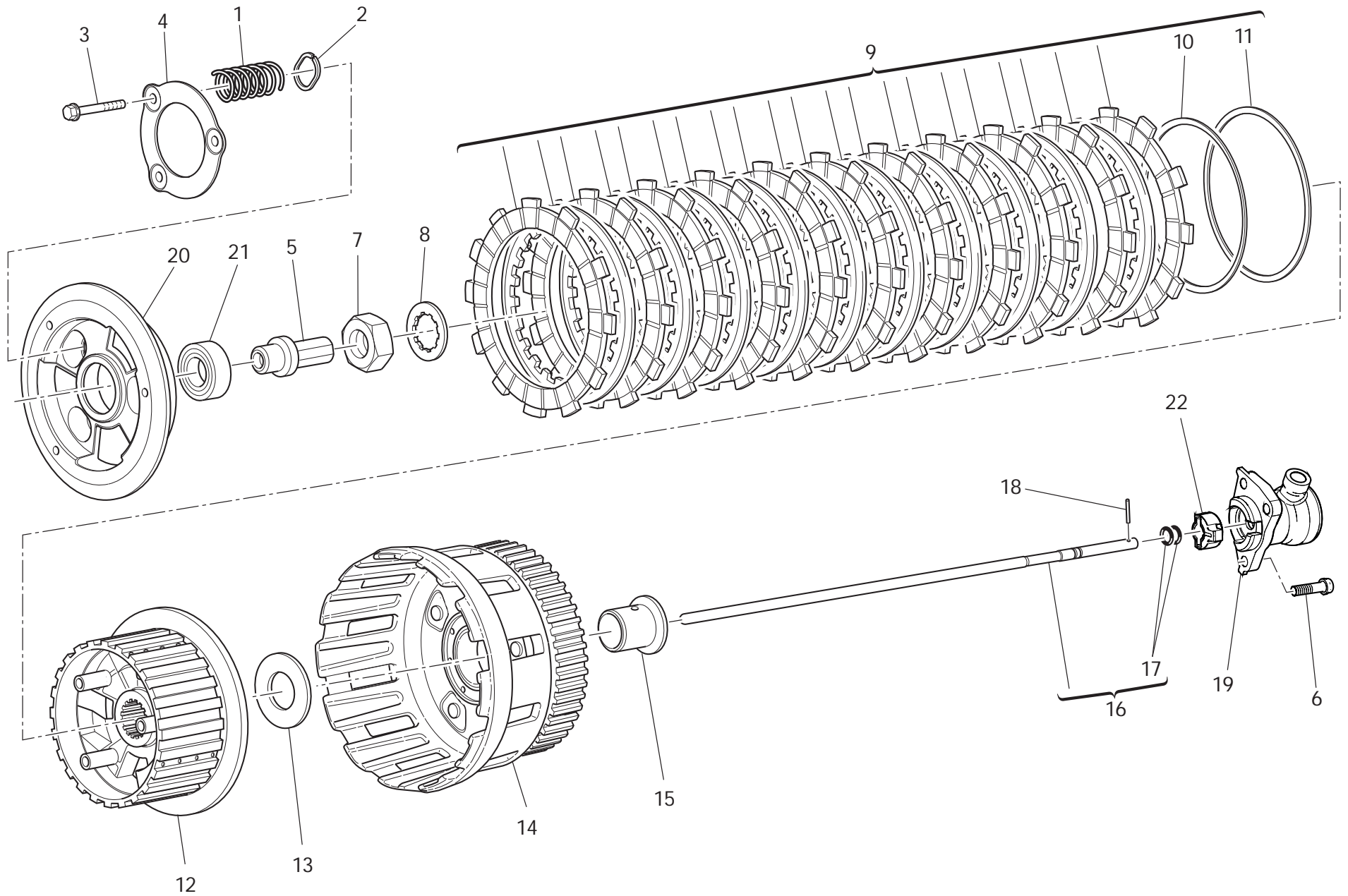
Gearbox

NOTES NO.	CODE NO.	DESCRIPTION	VALIDITY	Q.TY 
1	0251.47.054	Shim th. 1.2		1
2	149.1.097.1A	Gearbox main shaft		1
3	0670.16.150	Shim th. 0.5		2
4	701.4.005.1A	Needle bearing		5
5	172.1.004.3A	Driving gear 5th sp.		1
6	856.1.001.1A	Grooved washer th. 0.5		6
7	0670.16.145	Snap ring		6
8	172.1.003.3A	Driving gear 3rd/4th sp.		1
9	172.1.005.3A	Driving gear 6th sp.		1
10	172.1.002.1B	Driving gear 2nd sp.		1
11	713.1.014.1E	Shim th. 1.6		1
12	449.1.053.1A	Chain sprocket		1
13	851.1.004.1A	Lock washer		1
14	463.2.053.7A	O-ring		1
15	713.1.266.1A	Spacer th. 3,15		1
16	856.1.031.1A	Grooved washer th. 0.5		1
17	76402.0002	Needle bearing		1
18	172.1.218.2A	Driven gear 1st sp.		1
19	0670.16.155	Shim th. 1		1
20	172.1.010.3A	Driven gear 5th sp.		1
21	172.1.009.1A	Driven gear 4th sp.		1
22	172.1.008.1A	Driven gear 3rd sp.		1
23	172.1.011.3A	Driven gear 6th sp.		1
24	172.1.219.2A	Driven gear 2nd sp.		1
25	149.1.061.1A	Gearbox lay shaft		1
26	0670.16.170	Shim th. 0.8		1
27	150.2.169.1A	Complete main shaft		1


NOTES NO.	CODE NO.	DESCRIPTION	VALIDITY	Q.TY 
28	150.2.063.2A	Complete lay shaft		1
29	750.1.007.1A	Nut		1
30	713.1.393.1A	Spacer		1


CATALOGUE No: 915.1.319.1B
ISSUED: 02 - 11

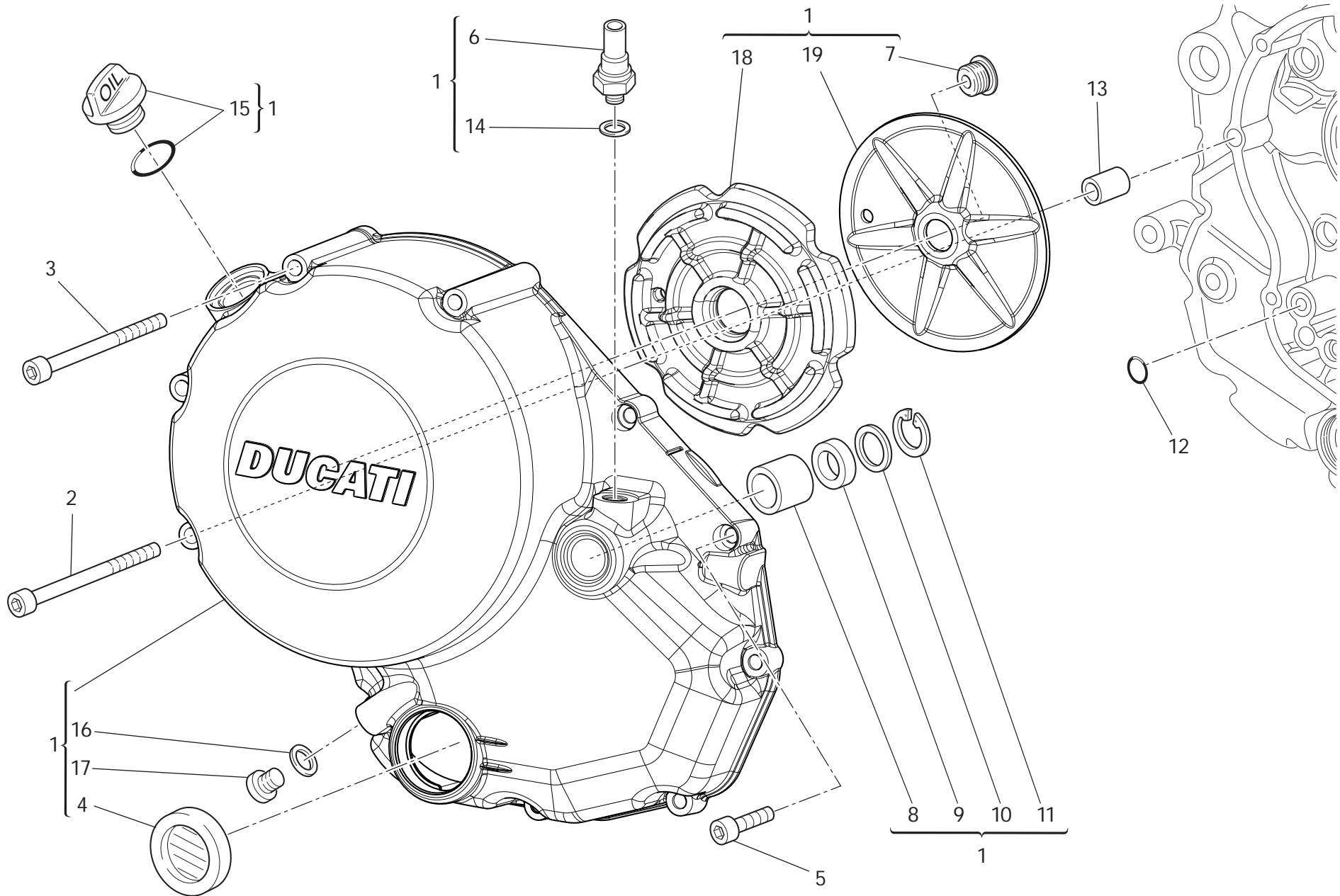
CATALOGUE No: 915.1.319.1B
ISSUED: 02 - 11




DRAWING **004** Clutch

NOTES NO.	CODE NO.	DESCRIPTION	VALIDITY	Q.TY 
1	797.1.053.1A	Spring		3
2	856.1.139.1A	Shim		3
3	772.1.120.1A	Screw		3
4	194.1.051.1A	Guide ring		1
5	818.1.032.1A	Clutch control pin "FCC"		1
6	771.5.065.8B	Screw		3
7	750.1.007.1A	Nut		1
8	851.1.020.1A	Lock washer		1
9	190.2.023.2A	Clutch plates set		1
10	799.1.278.1A	Spring washer "FCC"		1
11	190.1.042.1A	Spacer th. 1,2		1
12	196.1.053.1A	Plate holder hub "FCC"		1
13	713.1.309.1A	Spacer		1
14	198.2.039.1A	Clutch housing		1
15	713.1.483.1A	Spacer		1
16	117.2.119.1A	Clutch control rod		1
17	886.4.173.1A	O-ring		2
18	860.5.025.1A	Roller		1
19	195.4.003.1C	Piston assembly (anti-rotation insert)		1
20	196.1.054.1A	Pressure plate "FCC"		1
21	702.5.060.1A	Bearing		1
22	713.1.926.1A	Anti-rotation insert		1

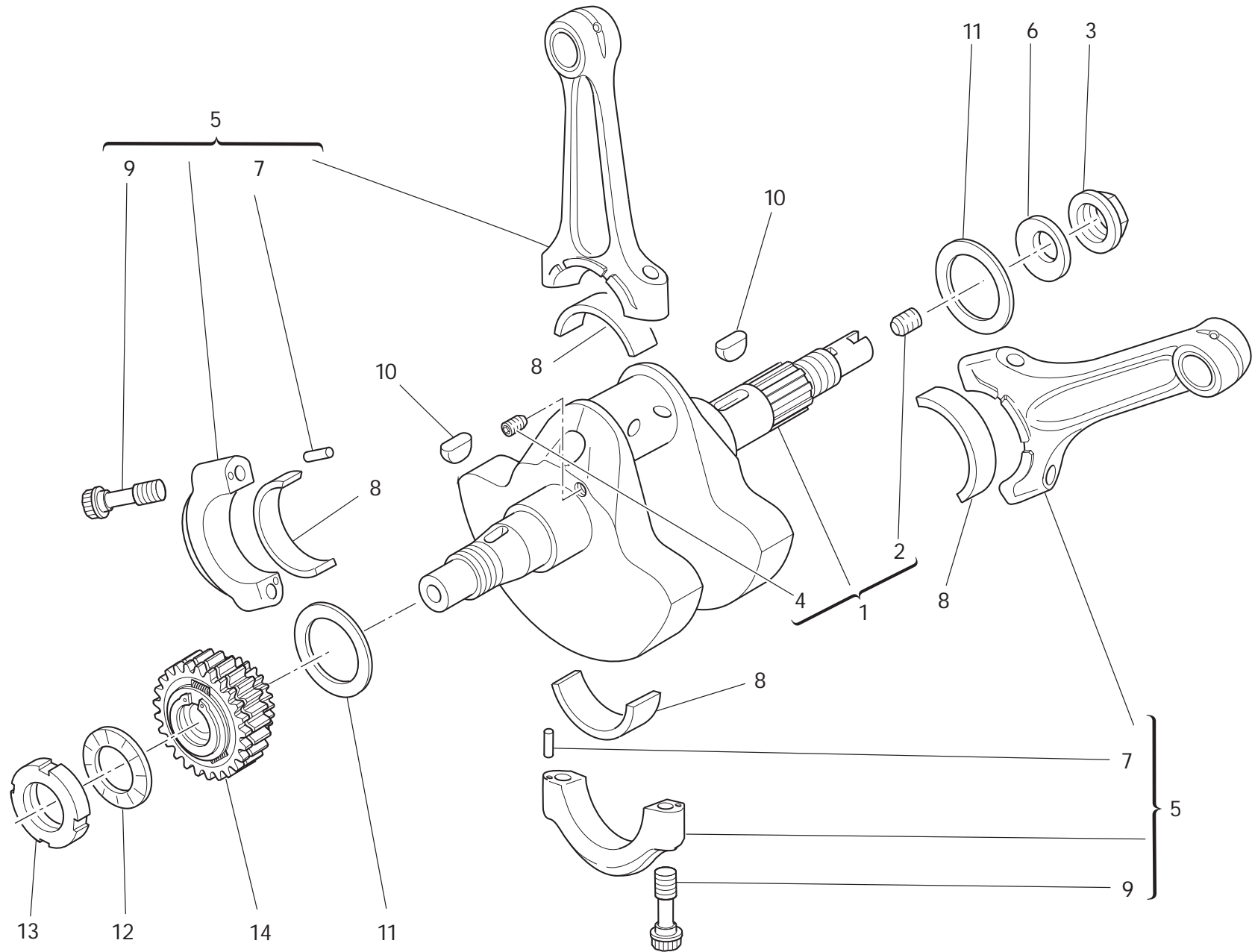
NOTES NO.	CODE NO.	DESCRIPTION	VALIDITY	Q.TY 
-----------	----------	-------------	----------	--



DRAWING **005** Clutch-side crankcase cover

NOTES NO.	CODE NO.	DESCRIPTION	VALIDITY	Q.TY 
1	243.2.118.1CC	Cover clutch side		1
2	771.5.083.8B	Screw		1
3	771.5.081.8B	Screw		3
4	254.4.001.2A	Oil level sight glass		1
5	771.5.069.8B	Screw		6
6	539.4.030.2A	Engine oil pressure sensor		1
7	779.1.501.1A	Screw		1
8	0665.49.680	Bush		1
9	930.4.021.1A	Seal ring		1
10	852.1.135.1A	Shim th. 1		1
11	884.5.013.1A	Circlip		1
12	886.4.132.1A	O-ring		1
13	711.1.160.1A	Locating bush		1
14	852.1.195.1A	Washer		1
15	893.2.012.1A	Complete cap		1
16	852.5.024.1A	Gasket th.1		1
17	780.5.001.2A	Cap		1
18	486.1.072.1A	Panel		1
19	827.1.433.1A	Plate		1


NOTES NO.	CODE NO.	DESCRIPTION	VALIDITY	Q.TY 
-----------	----------	-------------	----------	--



DRAWING **006** Connecting rods

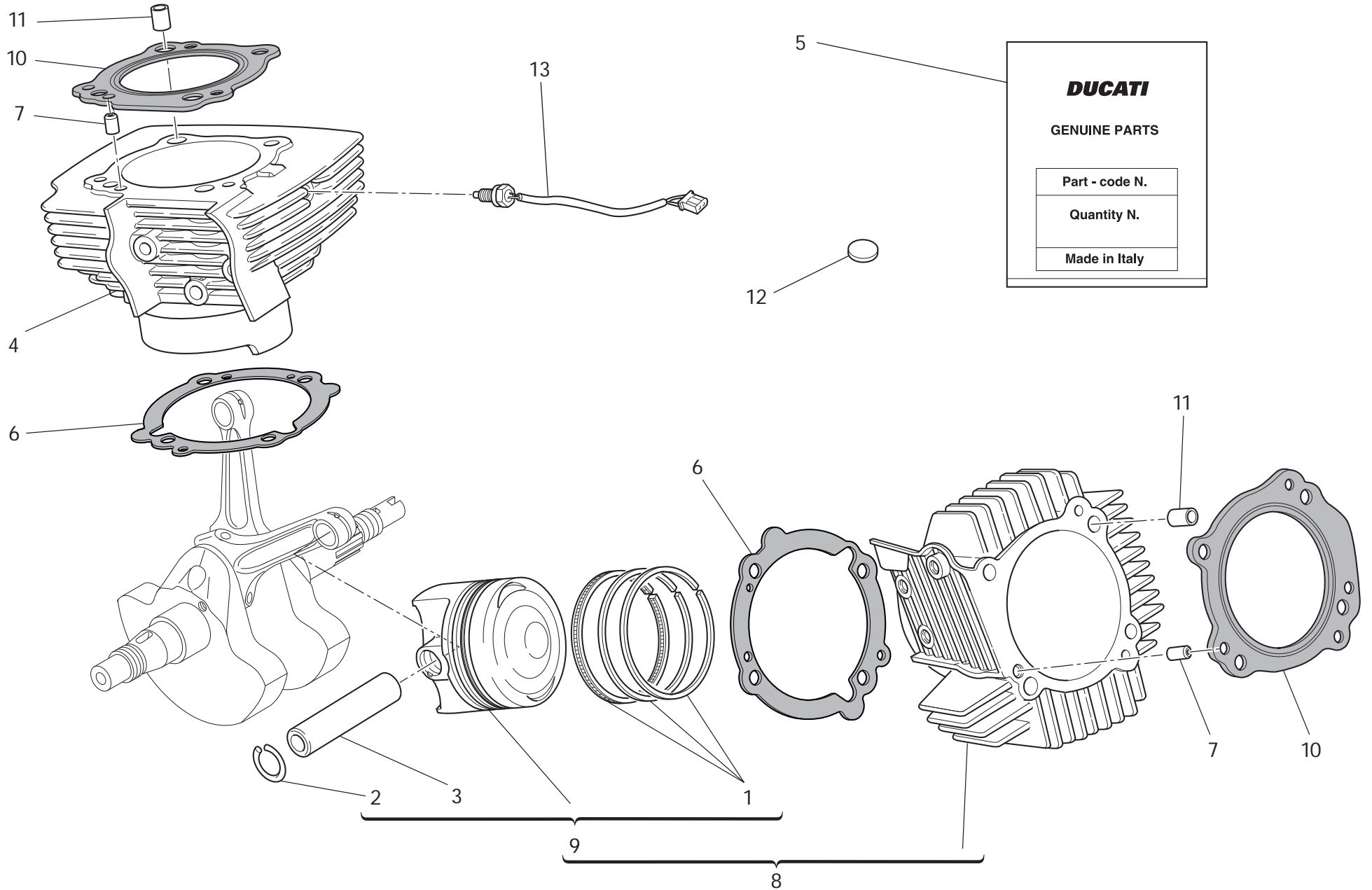
NOTES NO.	CODE NO.	DESCRIPTION	VALIDITY	Q.TY 
1	146.2.169.1A	Crankshaft		1
2	779.1.109.2A	Special screw		1
3	750.1.012.2A	Nut		1
4	779.1.547.1A	Special screw		1
5	158.2.012.2A	Connecting rods pair		1
6	799.1.051.2A	Spring washer		1
7	74224.0570	Pin		4
8	112.1.012.1AB	Half-bearing (BLUE)		2
8	112.1.012.1AC	Half-bearing (YELLOW)		2
9	779.1.404.1A	Special screw		4
10	680.1.013.1A	Woodruff key		2
11	852.1.104.1A	Shim th. 1.9		2
11	852.1.104.1B	Shim th. 1.95		2
11	852.1.104.1H	Shim th. 2.25		1
11	852.1.104.1K	Shim th. 2,4		2
11	852.1.104.1L	Shim th. 2,45		2
11	852.1.104.1M	Shim th. 2.5		2
11	852.1.104.1N	Shim th. 2.55		2
11	852.1.104.2C	Shim th. 2		2
11	852.1.104.2D	Shim th. 2,05		2
11	852.1.104.2E	Shim th. 2,1		2
11	852.1.104.2F	Shim th. 2,15		2
11	852.1.104.2G	Shim th. 2.2		2
11	852.1.104.2I	Shim th. 2.3		2
11	852.1.104.2J	Shim th. 2.35		2
12	851.4.003.1A	Lock washer		1
13	750.1.113.1A	Ring nut		1

CATALOGUE No: 915.1.319.1B
ISSUED: 02 - 11

NOTES NO.	CODE NO.	DESCRIPTION	VALIDITY	Q.TY 
14	170.2.081.1A	Primary drive front sprocket		1

CATALOGUE No: 915.1.319.1B
ISSUED: 02 - 11


DRAWING 007 Cylinders - pistons



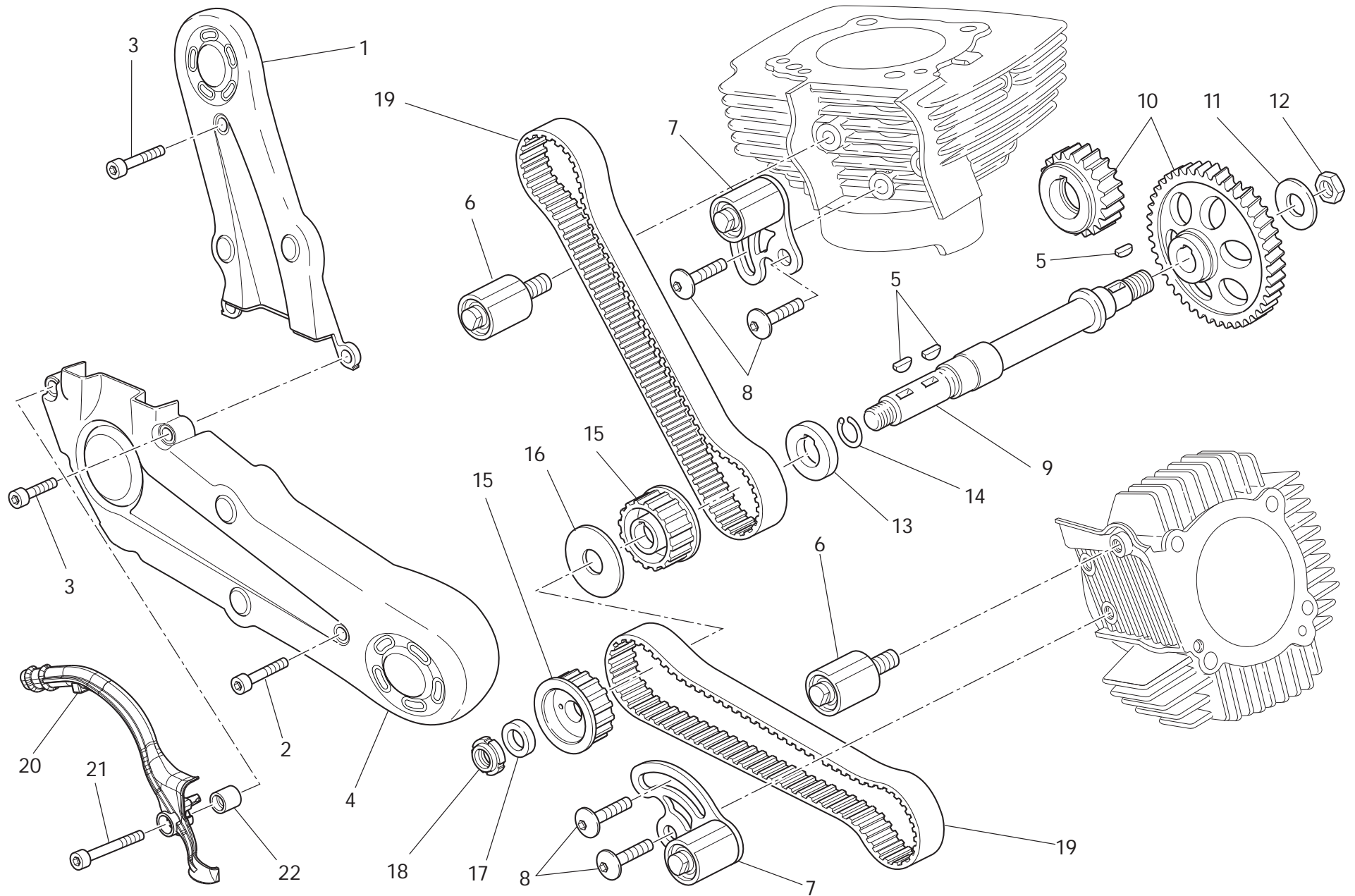
DUCATI
GENUINE PARTS

Part - code N.
Quantity N.
Made in Italy


DRAWING **007** Cylinders - pistons


NOTES NO.	CODE NO.	DESCRIPTION	VALIDITY	Q.TY 
1	121.2.045.1A	Piston rings set		2
2	884.4.011.1A	Piston pin circlip		4
3	121.1.211.1A	Piston pin		2
4	120.2.165.2A	Vertical cylinder-piston fit		1
5	791.2.051.1A	Gaskets set		1
6	786.1.114.1A	Cylinder-crankcase gasket th. 0.4		2
7	711.1.301.1B	Bush		2
8	120.2.164.2A	Horizontal cylinder-piston fit		1
9	122.2.165.2A	Complete piston		2
10	786.1.098.1A	Head-cylinder gasket		2
11	711.1.126.1A	Bush		4
12	700.1.064.1A	Vibration damper pad		39
13	552.4.145.2A	Temperature sensor		1

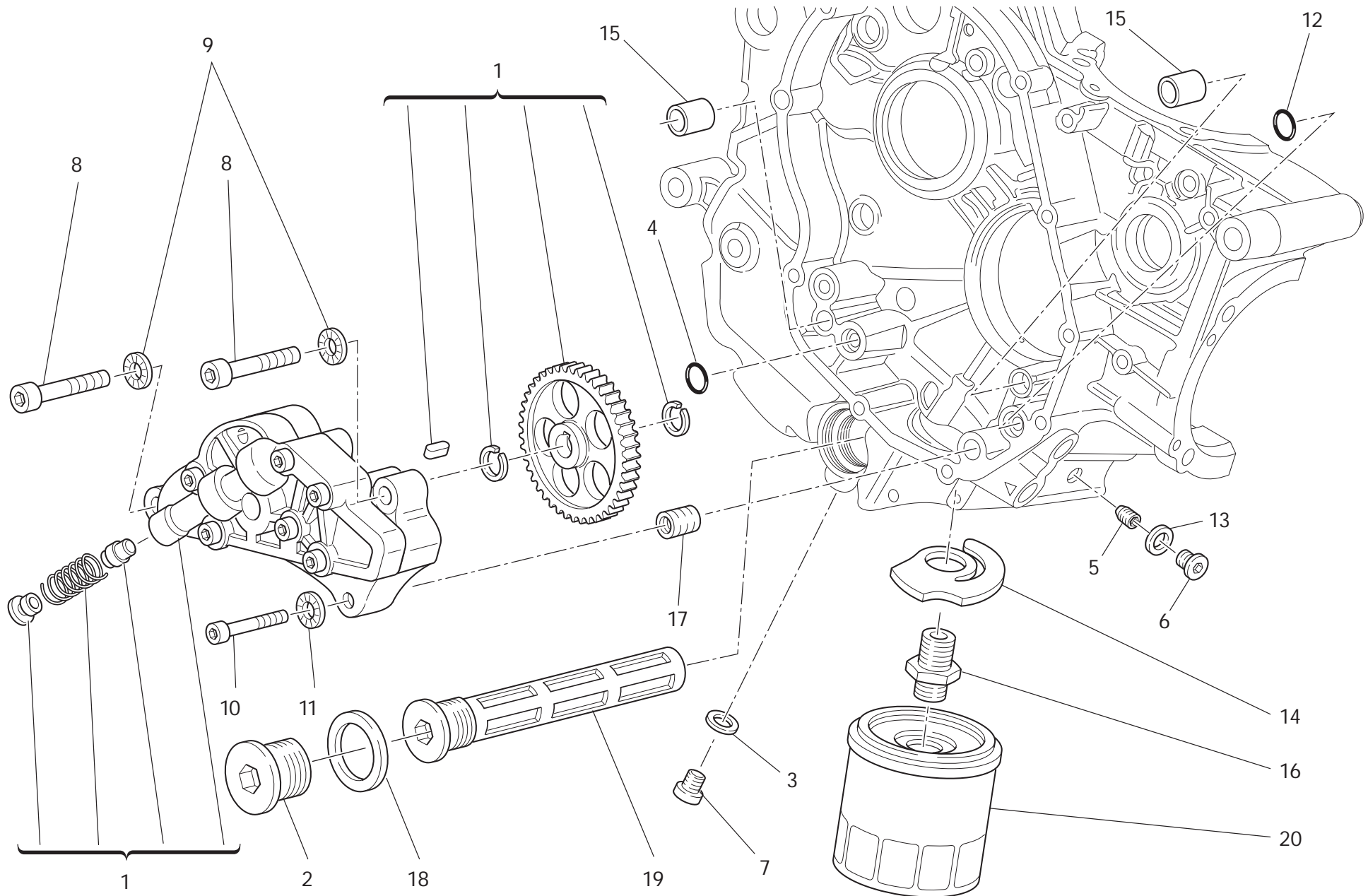
NOTES NO.	CODE NO.	DESCRIPTION	VALIDITY	Q.TY 
-----------	----------	-------------	----------	--




DRAWING **008** Timing system

NOTES NO.	CODE NO.	DESCRIPTION	VALIDITY	Q.TY 
1	245.1.102.1A	Vertical timing belt cover		1
2	771.1.052.1A	Screw		1
3	771.1.049.1A	Screw		3
4	245.1.101.1A	Horizontal timing belt cover		1
5	680.1.013.1A	Woodruff key		3
6	451.2.021.1A	Fixed tensioner assembly		2
7	451.2.020.1A	Complete vertical cylinder tensioner roller		2
8	772.1.010.3A	Screw		4
9	147Z.001.1A	Lay shaft		1
10	171.2.233.1A	Timing gears pair		1
11	851.1.013.1A	Lock washer		1
12	750.1.160.1A	Nut		1
13	716.1.073.2A	Spacer		1
14	882.1.003.1A	Snap ring		1
15	255.1.023.3A	Timing belt roller Z=20		2
16	856.1.062.2A	Belt roller separating washer		1
17	716.1.099.1A	Spacer		1
18	703.5.006.2A	Elastic-stop ring nut		1
19	737.4.021.1A	Timing drive toothed belt		2
20	758.1.048.1A	Fairlead		1
21	771.1.376.1A	Screw		1
22	713.1.907.1A	Spacer		1

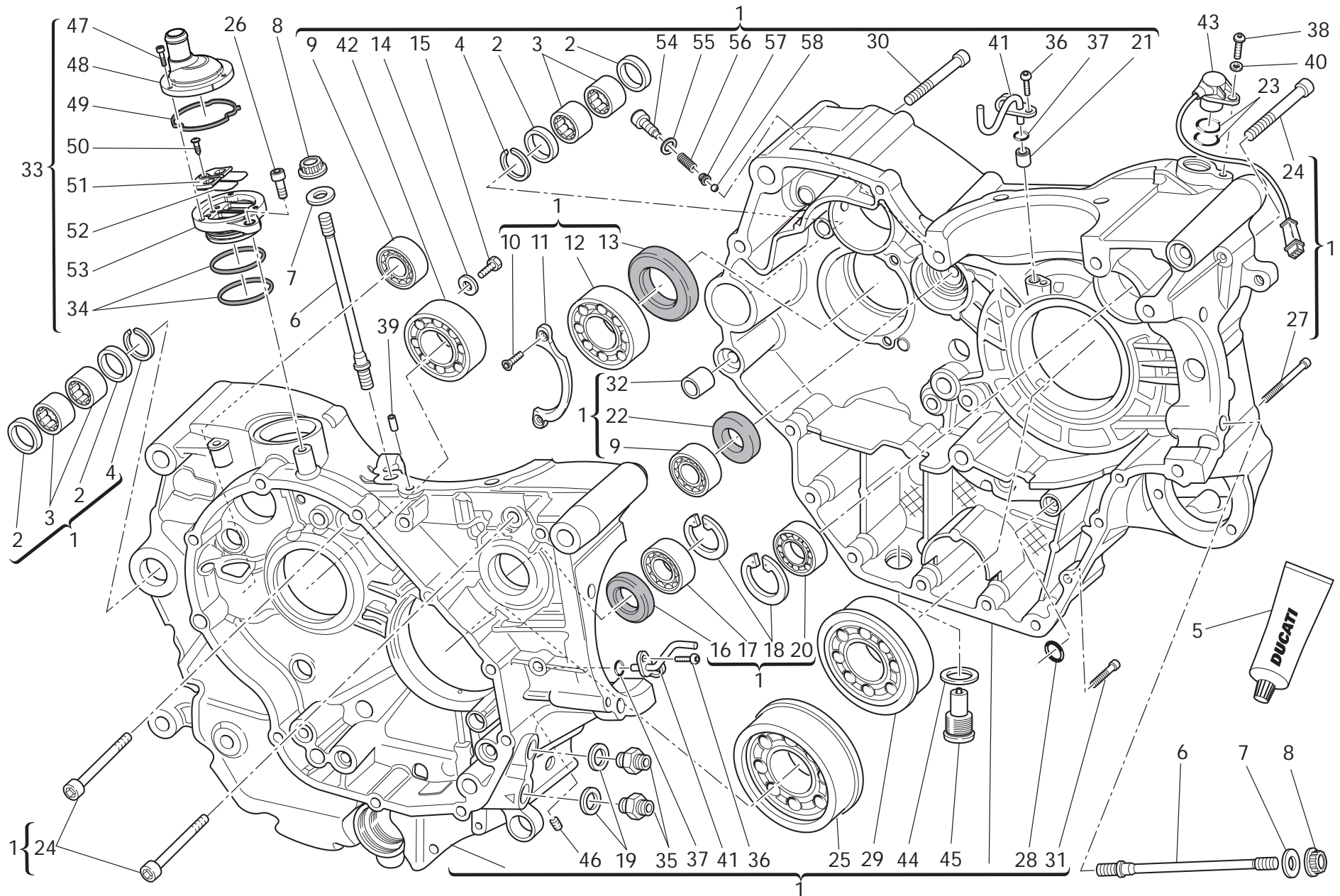
NOTES NO.	CODE NO.	DESCRIPTION	VALIDITY	Q.TY 
-----------	----------	-------------	----------	--



DRAWING **009** Filters and oil pump

NOTES NO.	CODE NO.	DESCRIPTION	VALIDITY	Q.TY 
1	174.Z.002.1A	Complete oil pump		1
2	873.1.037.1A	Cap		1
3	852.1.120.1A	Aluminium gasket		1
4	886.4.037.1A	O-Ring		1
5	778.4.004.1A	Threaded dowel		1
6	779.1.162.2A	Cap		1
7	779.1.198.2A	Cap		1
8	771.5.129.8B	Screw		2
9	852.1.174.1A	Washer		2
10	771.5.069.8B	Screw		1
11	852.1.172.1A	Washer		1
12	886.4.132.1A	O-ring		1
13	852.1.195.1A	Washer		1
14	799.2.077.2A	Bypass spring		1
15	0759.49.280	Locating bush		2
16	815.1.028.1A	Nipple		1
17	0670.49.310	Reduction bush		1
18	852.5.005.1A	Gasket th.1,5		1
19	894.2.009.1A	Oil filter		1
20	444.4.017.1A	Oil filter cartridge		1


NOTES NO.	CODE NO.	DESCRIPTION	VALIDITY	Q.TY 
-----------	----------	-------------	----------	--



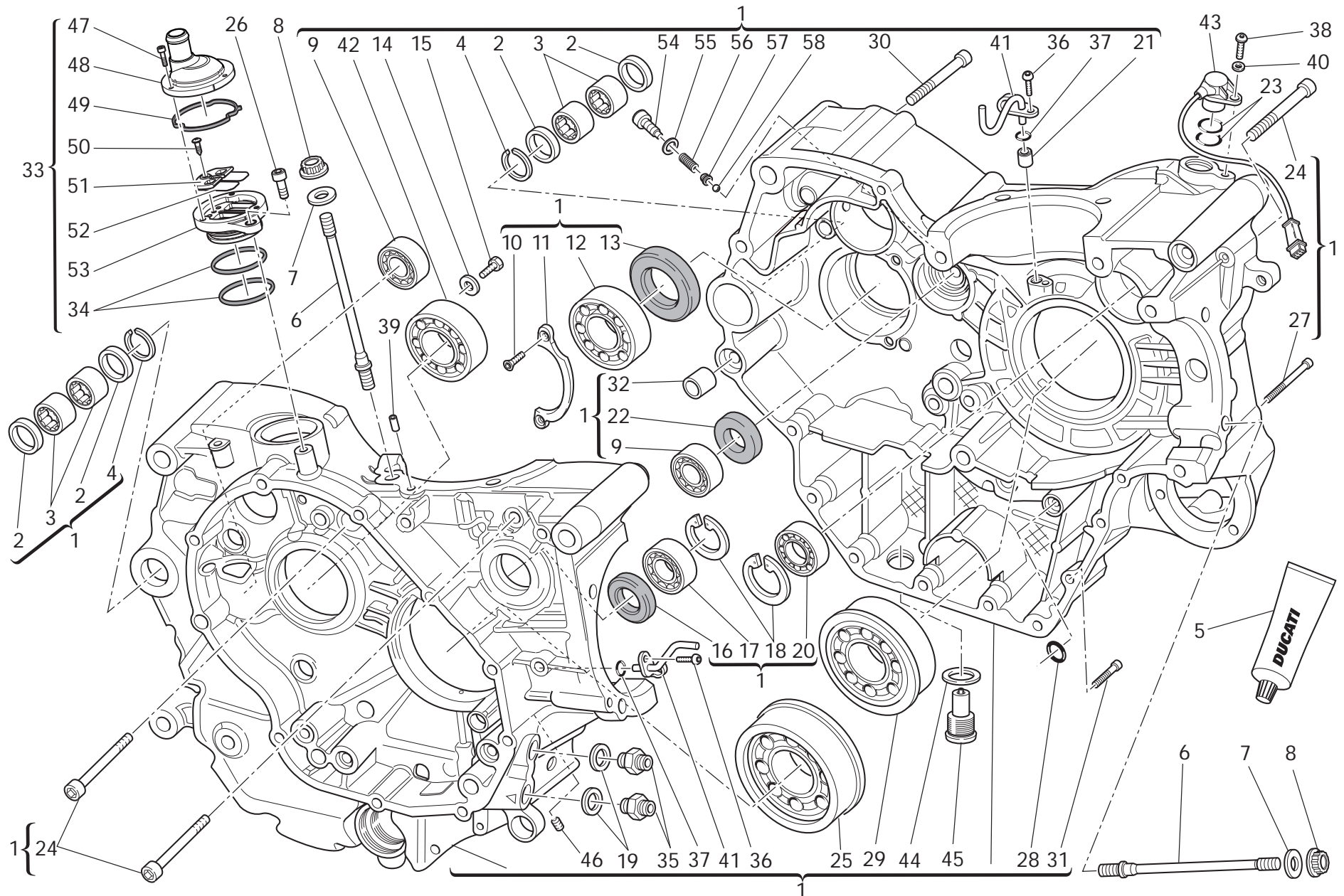
DRAWING **010** Crankcase halves

NOTES NO.	CODE NO.	DESCRIPTION	VALIDITY	Q.TY 
1	225.2.218.1B	Complete half-crankcases pair		1
2	0755.49.265	Seal ring		4
3	76400.0004	Needle bearing		4
4	884.4.053.1A	Snap ring		2
5	94247.0014	Fluid sealant		1
6	766.1.077.2B	Stud bolt for fastening head cylinder		8
7	856.1.064.2A	Special washer		8
8	748.1.050.1A	Nut		8
9	702.4.033.1A	Bearing		2
10	72094.1616	Screw		2
11	826.1.012.1A	Keep plate		1
12	702.4.013.1A	Bearing		1
13	930.4.022.1A	Seal ring		1
14	713.1.140.1A	Spacer		2
15	770.5.250.8B	Screw		2
16	930.4.123.1A	Seal ring		1
17	75794.1542	Bearing		1
18	73503.3380	Circlip		2
19	787.1.011.1A	Aluminium gasket th.2		2
20	702.5.008.1A	Bearing		1
21	711.1.339.1B	Bush		1
22	930.4.093.1A	Seal ring		1
23	886.4.033.1A	O-ring		2
24	771.5.136.8B	Screw		3
25	702.4.093.1A	Bearing		1
26	771.5.065.8B	Screw		1
27	771.5.080.8B	Screw		2


CATALOGUE No: 915.1.319.1B
ISSUED: 02 - 11

NOTES NO.	CODE NO.	DESCRIPTION	VALIDITY	Q.TY 
28	886.4.132.1A	O-ring		1
29	702.4.092.1A	Bearing		1
30	771.5.139.8B	Screw		4
31	771.5.072.8B	Screw		8
32	711.1.095.1A	Bush		2
33	593.2.062.1B	Breather valve		1
34	463.2.022.2A	O-Ring		2
35	815.1.022.1A	Nipple		2
36	775.1.031.1B	Screw		2
37	886.5.013.1A	O-Ring		2
38	775.5.021.1A	Screw		1
39	711.1.128.1A	Bush		2
40	853.1.003.1A	Spring washer		1
41	875.1.146.1A	Jet		2
42	702.5.019.1A	Bearing		1
43	552.4.132.1B	Rpm/timing sensor		1
44	852.5.042.1A	Copper gasket sp. 1,5		1
45	893.2.006.2A	Cap		1
46	779.5.062.1A	Threaded dowel		1
47	771.5.006.8B	Screw		3
48	593.1.062.1B	Upper cover		1
49	788.1.115.1A	Gasket		1
50	772.5.034.1B	Screw		1
51	827.1.603.1A	Spacer		1
52	811.1.002.1A	Blade		1
53	593.1.060.1B	Lower cover		1
54	779.1.650.1AD	Special screw		1

CATALOGUE No: 915.1.319.1B
ISSUED: 02 - 11

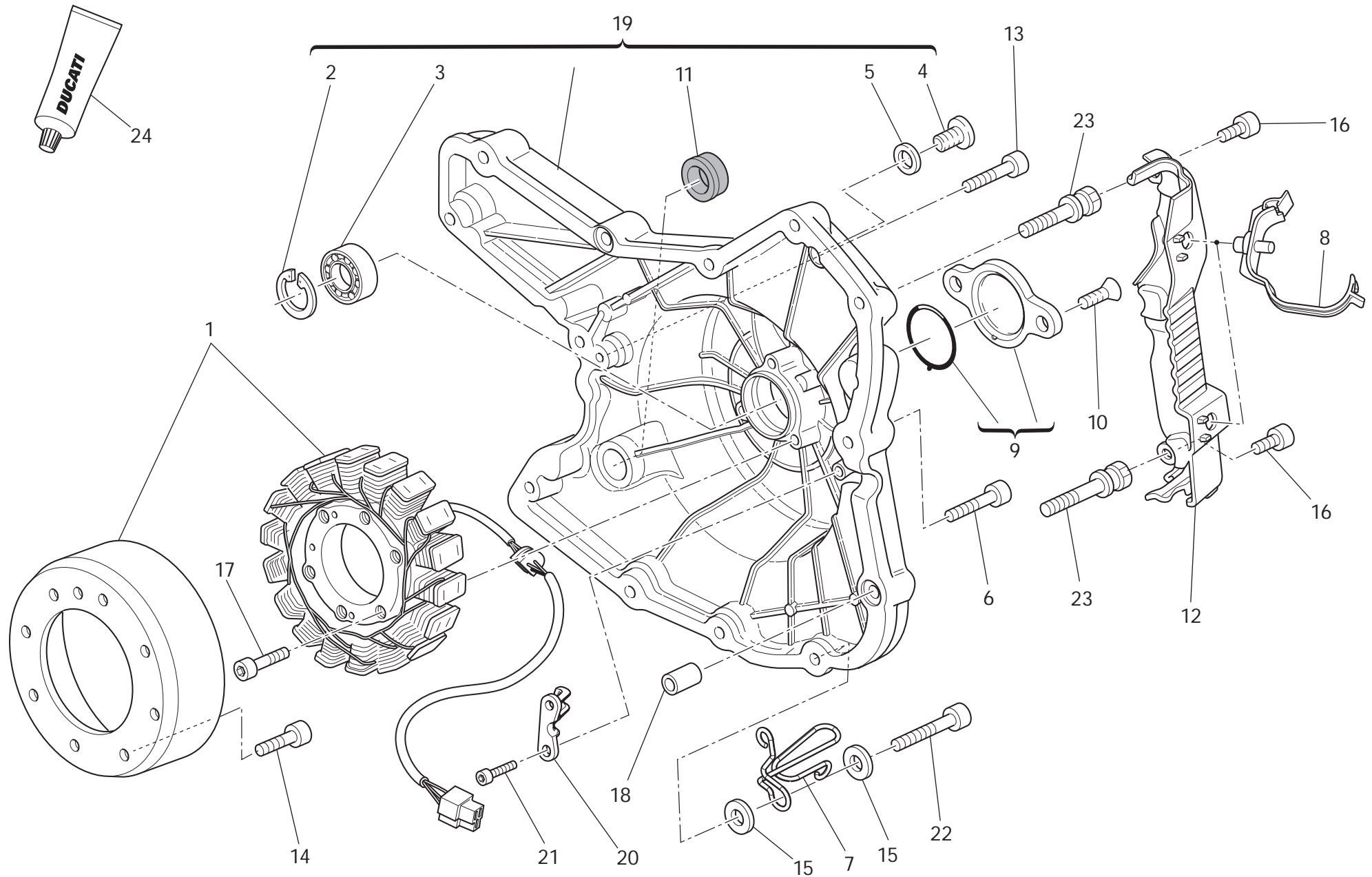


DRAWING **010** Crankcase halves

NOTES NO.	CODE NO.	DESCRIPTION	VALIDITY	Q.TY 
55	852.1.246.1A	Washer		1
56	799.4.012.1A	Spring		1
57	831.1.015.1A	Plate		1
58	847.4.006.1A	Ball		1


NOTES NO.	CODE NO.	DESCRIPTION	VALIDITY	Q.TY 
-----------	----------	-------------	----------	--

DRAWING 011 Alternator-side crankcase cover

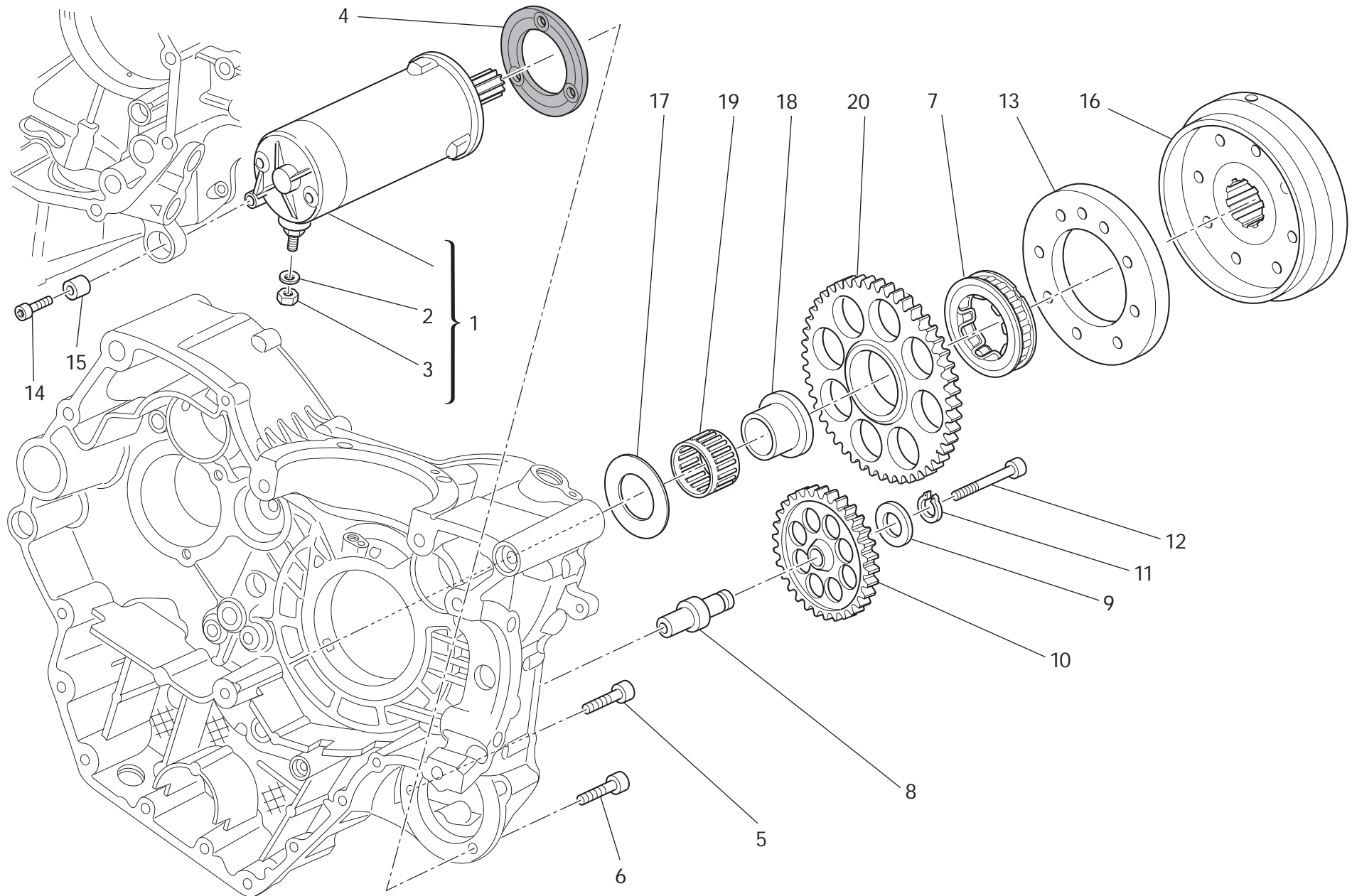


DRAWING **011** Alternator-side crankcase cover


NOTES NO.	CODE NO.	DESCRIPTION	VALIDITY	Q.TY 
1	264.2.015.1A	Generator "KOKUSAN"		1
2	73503.3380	Circlip		1
3	702.5.008.1A	Bearing		1
4	779.1.026.2A	Screw		1
5	852.5.026.1A	Aluminium gasket th.1,5		1
6	771.4.069.7C	Screw		7
7	881.1.063.1A	Hose guide		1
8	758.4.020.1A	Hose guide		2
9	699.2.453.1A	Cover kit		1
10	777.5.049.8C	Screw		2
11	93783.1524	Seal ring		1
12	758.1.047.1C	Cover		1
13	771.4.067.7C	Screw		2
14	779.4.075.1A	Screw		8
15	852.1.176.1A	Washer		2
16	771.5.038.8B	Screw		2
17	771.5.071.8B	Screw		3
18	711.1.160.1A	Locating bush		2
19	242.2.081.1CE	Generator cover		1
20	830.1.558.1A	Bracket		1
21	771.5.040.8B	Screw		2
22	771.4.071.7C	Screw		2
23	779.1.631.1A	Special screw		2
24	94247.0035	Fluid sealant (BLACK)		1


NOTES NO.	CODE NO.	DESCRIPTION	VALIDITY	Q.TY 
-----------	----------	-------------	----------	--

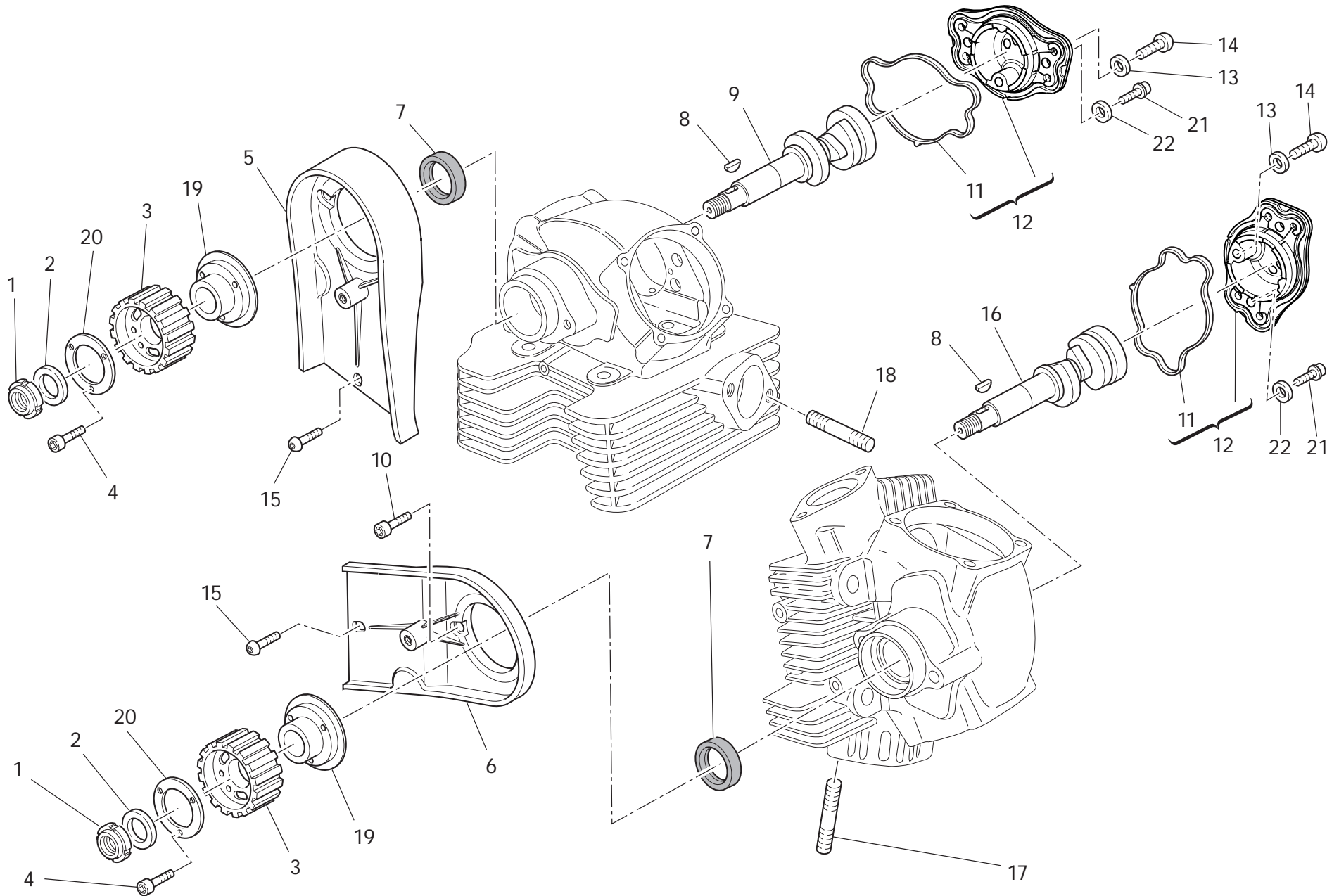
DRAWING 012 Electric starting and ignition



DRAWING **012** Electric starting and ignition


NOTES NO.	CODE NO.	DESCRIPTION	VALIDITY	Q.TY 
1	270.4.012.5A	Complete starter motor		1
2	853.5.010.1A	Spring washer		1
3	750.5.005.1A	Nut		1
4	788.1.054.2A	Starter motor gasket		1
5	771.1.386.1A	Screw		2
6	771.1.051.8B	Screw		1
7	701.4.035.1A	Starter clutch		1
8	821.1.309.3A	Intermediate gear pin		1
9	856.1.071.1A	Washer		1
10	176.Z.002.1A	Intermediate gear assembly		1
11	73500.1440	Circlip		1
12	771.5.078.8B	Screw		1
13	160.Z.001.1A	Flange		1
14	771.1.052.1A	Screw		1
15	700.1.036.1A	Flexible bush		1
16	276.1.044.1A	Ignition flywheel		1
17	856.1.075.1A	Shim		1
18	881.1.034.1A	Inner ring		1
19	702.4.018.1A	Needle bearing		1
20	173.Z.002.1A	Electric starter driven gear		1


NOTES NO.	CODE NO.	DESCRIPTION	VALIDITY	Q.TY 
-----------	----------	-------------	----------	--



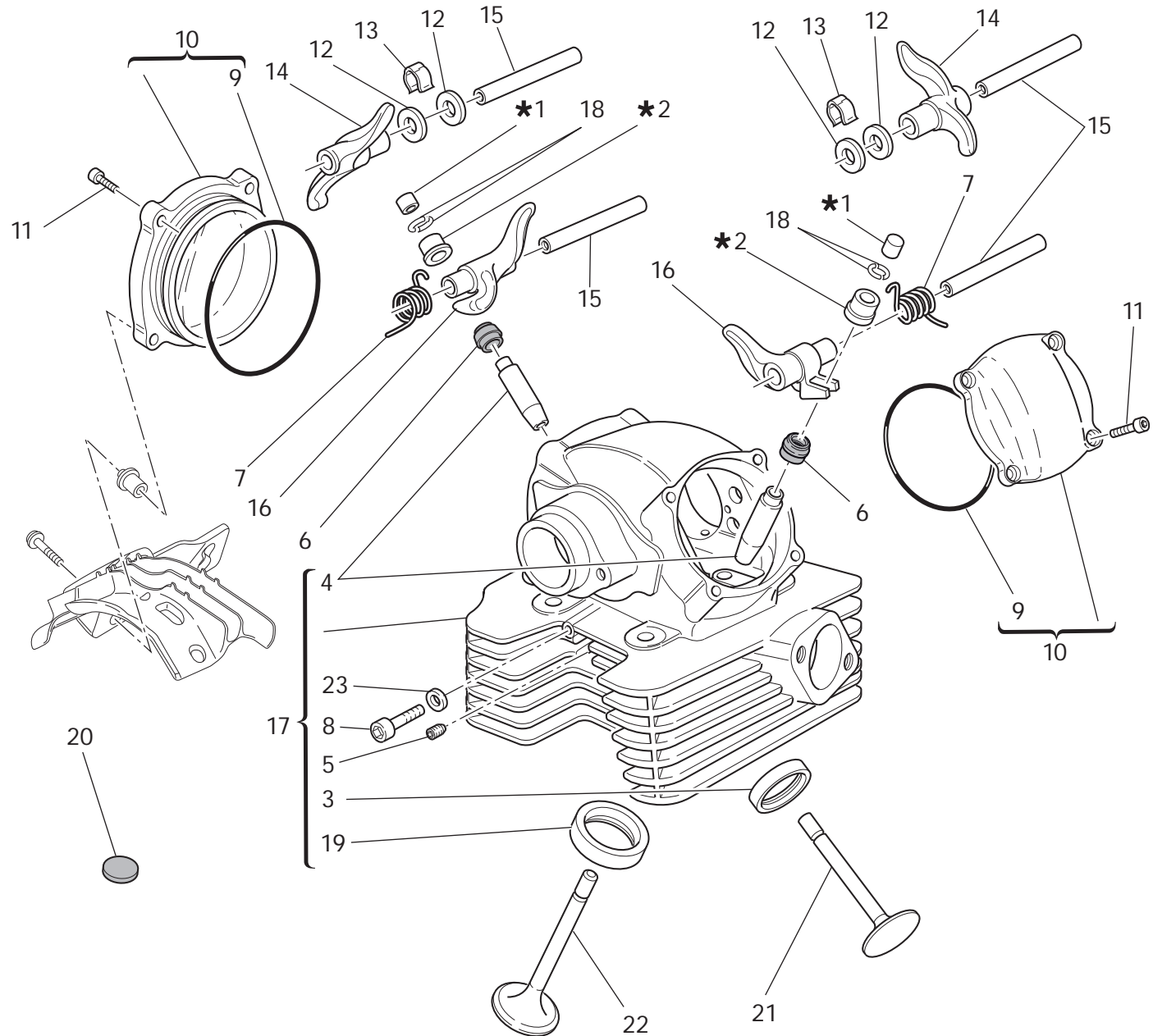
DRAWING **013**

Cylinder head : timing system

NOTES NO.	CODE NO.	DESCRIPTION	VALIDITY	Q.TY 
1	703.5.006.2A	Elastic-stop ring nut		2
2	852.1.173.1A	Washer		2
3	255.1.024.3A	Timing belt roller		2
4	779.5.030.2A	Screw		6
5	245.1.081.2A	Vertical belt inner cover		1
6	245.1.082.2A	Horizontal belt inner cover		1
7	930.4.061.1A	Seal ring		2
8	680.1.013.1A	Woodruff key		2
9	148.1.361.1B	Vertical head camshaft		1
10	771.1.049.1A	Screw		4
11	788.1.111.1C	Gasket		2
12	235.2.040.2AC	Side cap		2
13	852.1.297.1A	Copper gasket		2
14	775.1.066.1A	Screw		2
15	775.5.021.1A	Screw		2
16	148.1.360.1B	Horizontal head camshaft		1
17	766.4.017.2A	Stud bolt		4
18	766.4.018.1A	Stud bolt		4
19	160.1.105.1A	Flange		2
20	856.1.074.2A	Special washer		2
21	771.1.386.1A	Screw		4
22	852.1.246.1A	Washer		4

NOTES NO.	CODE NO.	DESCRIPTION	VALIDITY	Q.TY 
-----------	----------	-------------	----------	--


1	2
Registro bilanc. apertura	Registro bilanc. chiusura
Adjustment	Adjustment
Réglage	Réglage
Ventilkäppchen	Ventilkäppchen
840.1.031.1A - 1,8	840.1.041.2B - 2,2
840.1.032.1A - 1,85	840.1.042.2B - 2,25
840.1.033.1A - 1,9	840.1.043.2B - 2,3
840.1.034.1A - 1,95	840.1.044.2B - 2,35
840.1.001.1A - 2,0	840.1.045.2B - 2,4
840.1.002.1A - 2,05	840.1.046.2B - 2,45
840.1.003.1A - 2,1	840.1.047.2B - 2,5
840.1.004.1A - 2,15	840.1.048.2B - 2,55
840.1.005.1A - 2,2	840.1.049.2B - 2,6
840.1.006.1A - 2,25	840.1.050.2B - 2,65
840.1.007.1A - 2,3	840.1.051.2B - 2,7
840.1.008.1A - 2,35	840.1.052.2B - 2,75
840.1.009.1A - 2,4	840.1.053.2B - 2,8
840.1.010.1A - 2,45	840.1.054.2B - 2,85
840.1.011.1A - 2,5	840.1.055.2B - 2,9
840.1.012.1A - 2,55	840.1.056.2B - 2,95
840.1.013.1A - 2,6	840.1.057.2B - 3,0
840.1.014.1A - 2,65	840.1.058.2B - 3,05
840.1.015.1A - 2,7	840.1.059.2B - 3,1
840.1.016.1A - 2,75	840.1.060.2B - 3,15
840.1.017.1A - 2,8	840.1.061.2B - 3,2
840.1.018.1A - 2,85	840.1.062.2B - 3,25
840.1.019.1A - 2,9	840.1.063.2B - 3,3
840.1.020.1A - 2,95	840.1.064.2B - 3,35
840.1.021.1A - 3,0	840.1.065.2B - 3,4
840.1.022.1A - 3,05	840.1.066.2B - 3,45
840.1.023.1A - 3,1	840.1.067.2B - 3,5
840.1.024.1A - 3,15	840.1.068.2B - 3,55
840.1.025.1A - 3,2	840.1.069.2B - 3,6
840.1.026.1A - 3,25	840.1.070.2B - 3,65
840.1.027.1A - 3,3	840.1.071.2B - 3,7
840.1.028.1A - 3,35	840.1.072.2B - 3,75
840.1.029.1A - 3,4	840.1.073.2B - 3,8
840.1.030.1A - 3,45	840.1.074.2B - 3,85
	840.1.075.2B - 3,9
	840.1.076.2B - 3,95
	840.1.077.2B - 4,0
	840.1.078.2B - 4,05
	840.1.079.2B - 4,1
	840.1.080.2B - 4,15
	840.1.081.2B - 4,2
	840.1.082.2B - 4,25
	840.1.083.2B - 4,3
	840.1.084.2B - 4,35
	840.1.085.2B - 4,4
	840.1.086.2B - 4,45
	840.1.087.2B - 4,5



DRAWING **014**

Vertical cylinder head

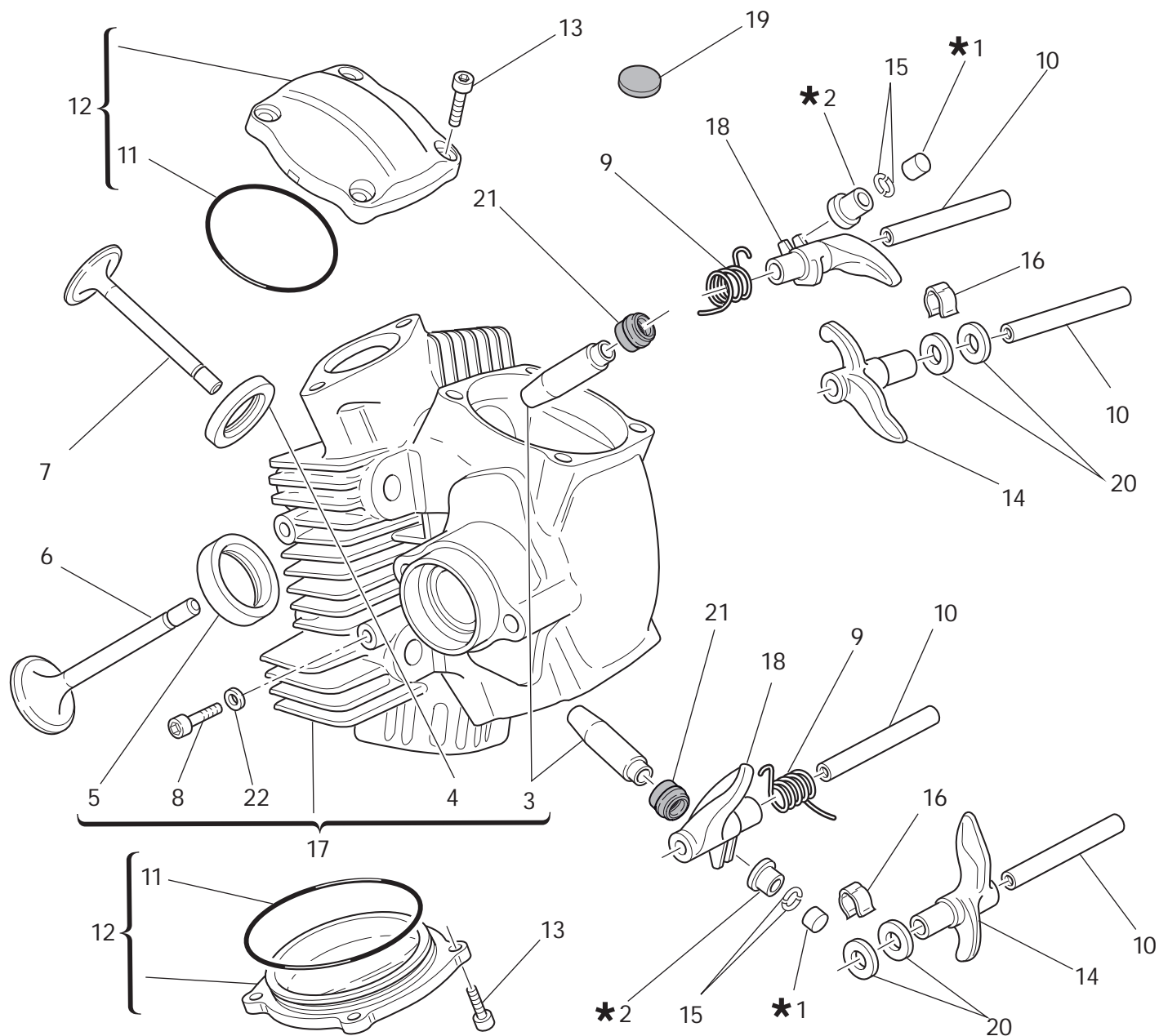
NOTES NO.	CODE NO.	DESCRIPTION	VALIDITY	Q.TY 
1	See table		2
2	See table		2
3	304.1.043.1B	Exhaust valve seat		1
3	304.1.043.1BB	Oversize exhaust valve seat 0.03		1
3	304.1.043.1BC	Oversize exhaust valve seat 0.06		1
4	303.1.068.1AA	Oversize valve guide 0.03		2
4	303.1.068.1AB	Oversize valve guide 0.06		2
4	303.1.068.1AC	Oversize valve guide 0.09		2
5	780.5.010.1A	Threaded dowel		1
6	764.1.087.1A	Valve seal		2
7	799.1.502.1A	Closing rocker spring		2
8	779.1.133.1A	Screw		1
9	886.4.138.1A	O-ring		2
10	240.2.039.2A	Valve cover		2
11	771.5.066.8B	Screw		6
12	0647.70.010	Shim		4
13	799.1.212.1A	Spring		2
14	208.Z.001.1A	Opening rocker		2
15	821.Z.001.1B	Rocker shaft		4
16	209.Z.001.1A	Closing rocker		4
17	301.2.276.1CA	Complete vertical head		1
18	669.1.001.1E	Split rings		4
19	304.1.042.1B	Intake valve seat		1
19	304.1.042.1BB	Oversize intake valve seat 0.03		1
19	304.1.042.1BC	Oversize intake valve seat 0.06		1
20	700.1.040.1A	Vibration damper pad		12
21	211.1.076.1A	Exhaust valve		1

NOTES NO.	CODE NO.	DESCRIPTION	VALIDITY	Q.TY 
22	210.1.076.1A	Intake valve		1
23	852.5.023.1A	Gasket		1

CATALOGUE No: 915.1.319.1B
ISSUED: 02 - 11


CATALOGUE No: 915.1.319.1B
ISSUED: 02 - 11

1	2
Registro bilanc. apertura	Registro bilanc. chiusura
Adjustment	Adjustment
Réglage	Réglage
Ventilkäppchen	Ventilkäppchen
840.1.031.1A - 1,8	840.1.041.2B - 2,2
840.1.032.1A - 1,85	840.1.042.2B - 2,25
840.1.033.1A - 1,9	840.1.043.2B - 2,3
840.1.034.1A - 1,95	840.1.044.2B - 2,35
840.1.001.1A - 2,0	840.1.045.2B - 2,4
840.1.002.1A - 2,05	840.1.046.2B - 2,45
840.1.003.1A - 2,1	840.1.047.2B - 2,5
840.1.004.1A - 2,15	840.1.048.2B - 2,55
840.1.005.1A - 2,2	840.1.049.2B - 2,6
840.1.006.1A - 2,25	840.1.050.2B - 2,65
840.1.007.1A - 2,3	840.1.051.2B - 2,7
840.1.008.1A - 2,35	840.1.052.2B - 2,75
840.1.009.1A - 2,4	840.1.053.2B - 2,8
840.1.010.1A - 2,45	840.1.054.2B - 2,85
840.1.011.1A - 2,5	840.1.055.2B - 2,9
840.1.012.1A - 2,55	840.1.056.2B - 2,95
840.1.013.1A - 2,6	840.1.057.2B - 3,0
840.1.014.1A - 2,65	840.1.058.2B - 3,05
840.1.015.1A - 2,7	840.1.059.2B - 3,1
840.1.016.1A - 2,75	840.1.060.2B - 3,15
840.1.017.1A - 2,8	840.1.061.2B - 3,2
840.1.018.1A - 2,85	840.1.062.2B - 3,25
840.1.019.1A - 2,9	840.1.063.2B - 3,3
840.1.020.1A - 2,95	840.1.064.2B - 3,35
840.1.021.1A - 3,0	840.1.065.2B - 3,4
840.1.022.1A - 3,05	840.1.066.2B - 3,45
840.1.023.1A - 3,1	840.1.067.2B - 3,5
840.1.024.1A - 3,15	840.1.068.2B - 3,55
840.1.025.1A - 3,2	840.1.069.2B - 3,6
840.1.026.1A - 3,25	840.1.070.2B - 3,65
840.1.027.1A - 3,3	840.1.071.2B - 3,7
840.1.028.1A - 3,35	840.1.072.2B - 3,75
840.1.029.1A - 3,4	840.1.073.2B - 3,8
840.1.030.1A - 3,45	840.1.074.2B - 3,85
	840.1.075.2B - 3,9
	840.1.076.2B - 3,95
	840.1.077.2B - 4,0
	840.1.078.2B - 4,05
	840.1.079.2B - 4,1
	840.1.080.2B - 4,15
	840.1.081.2B - 4,2
	840.1.082.2B - 4,25
	840.1.083.2B - 4,3
	840.1.084.2B - 4,35
	840.1.085.2B - 4,4
	840.1.086.2B - 4,45
	840.1.087.2B - 4,5



DRAWING **015** Horizontal cylinder head

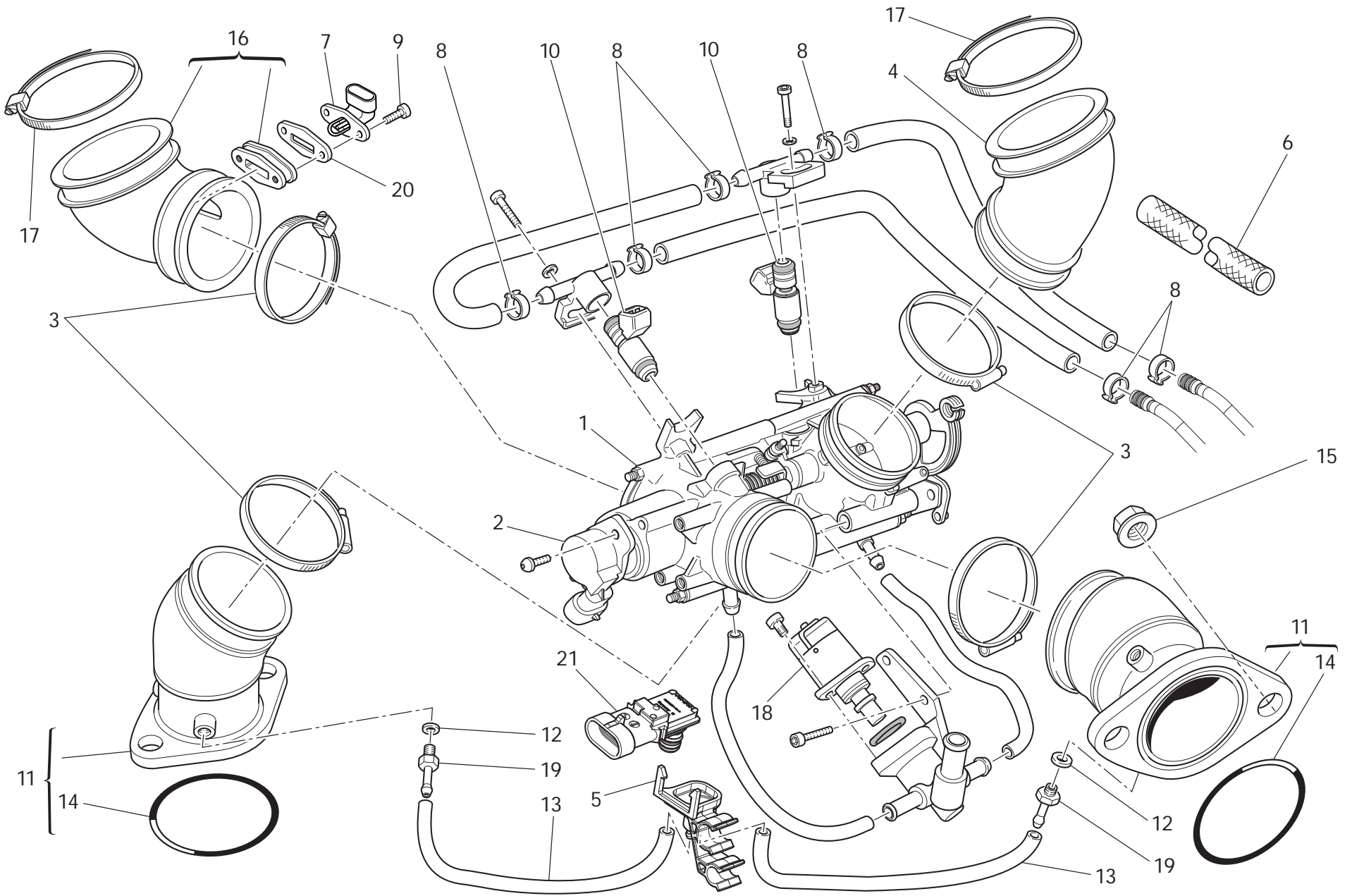
NOTES NO.	CODE NO.	DESCRIPTION	VALIDITY	Q.TY 
1	See table		2
2	See table		2
3	303.1.068.1AA	Oversize valve guide 0.03		2
3	303.1.068.1AB	Oversize valve guide 0.06		2
3	303.1.068.1AC	Oversize valve guide 0.09		2
4	304.1.043.1B	Exhaust valve seat		1
4	304.1.043.1BB	Oversize exhaust valve seat 0.03		1
4	304.1.043.1BC	Oversize exhaust valve seat 0.06		1
5	304.1.042.1B	Intake valve seat		1
5	304.1.042.1BB	Oversize intake valve seat 0.03		1
5	304.1.042.1BC	Oversize intake valve seat 0.06		1
6	210.1.076.1A	Intake valve		1
7	211.1.076.1A	Exhaust valve		1
8	779.1.133.1A	Screw		1
9	799.1.502.1A	Closing rocker spring		2
10	821.Z.001.1B	Rocker shaft		4
11	886.4.138.1A	O-ring		2
12	240.2.039.2A	Valve cover		2
13	771.5.066.8B	Screw		8
14	208.Z.001.1A	Opening rocker		2
15	669.1.001.1E	Split rings		4
16	799.1.212.1A	Spring		2
17	301.2.275.1CA	Complete horizontal head		1
18	209.Z.001.1A	Closing rocker		2
19	700.1.040.1A	Vibration damper pad		27
20	0647.70.010	Shim		4
21	764.1.087.1A	Valve seal		2

NOTES NO.	CODE NO.	DESCRIPTION	VALIDITY	Q.TY 
22	852.5.023.1A	Gasket		1


CATALOGUE No: 915.1.319.1B
ISSUED: 02 - 11

CATALOGUE No: 915.1.319.1B
ISSUED: 02 - 11

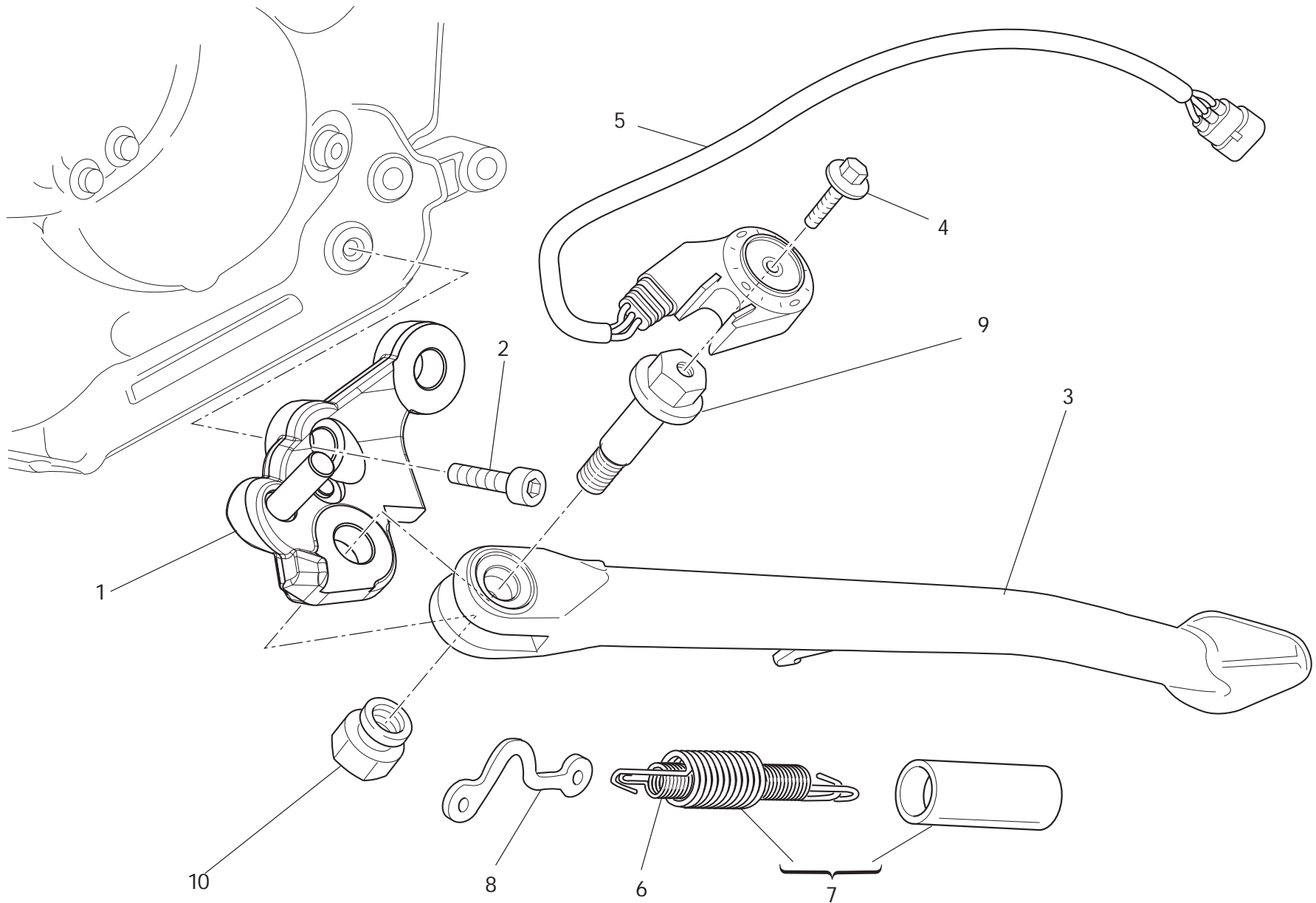
DRAWING 016 Intake manifolds




DRAWING **016** Intake manifolds

NOTES NO.	CODE NO.	DESCRIPTION	VALIDITY	Q.TY 
1	282.4.083.3A	Feed unit assembly		1
2	284.4.008.1A	Potentiometer		1
3	741.4.180.1A	Clamp		4
4	801.1.027.1A	Hose		1
5	814.1.303.1A	Holder sensor		1
6	460.1.338.1A	Protection sheath		1
7	552.4.012.1A	Air temperature sensor		1
8	287.4.024.1B	Clamp		6
9	773.5.006.8B	Screw		2
10	280.4.023.1A	Injector		2
11	140.2.068.2A	Intake manifold		2
12	0250.70.223	Aluminium gasket		2
13	590.1.341.1A	Tube		2
14	886.4.148.1A	O-ring		2
15	748.1.039.1A	Nut		4
16	801.1.031.1A	Hose		1
17	741.4.067.1A	Hose guide		2
18	283.4.020.1A	Stepper motor		1
19	814.1.323.1A	Union		2
20	788.1.104.1A	Gasket		1
21	552.4.144.1A	Pressure sensor		1

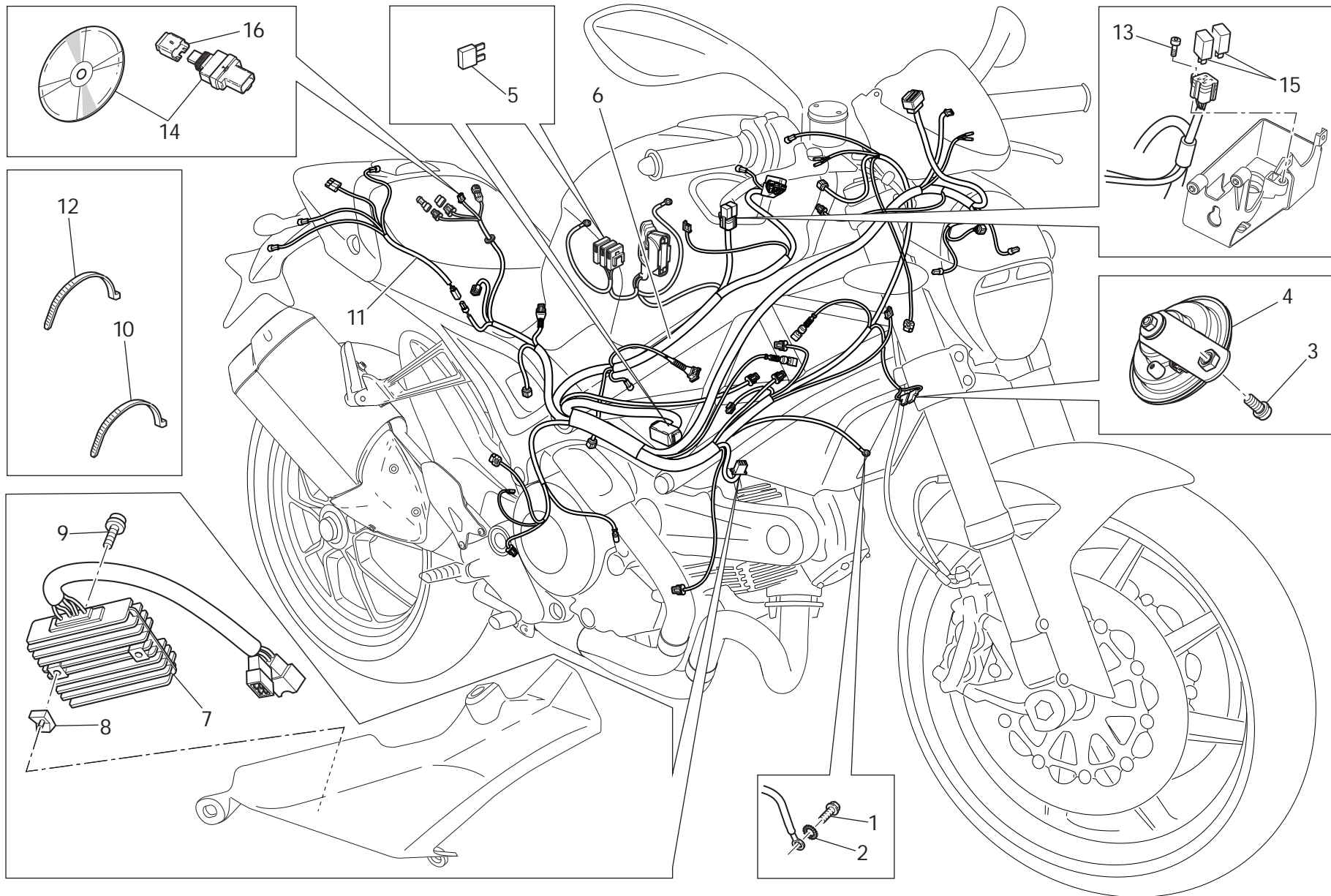
NOTES NO.	CODE NO.	DESCRIPTION	VALIDITY	Q.TY 
-----------	----------	-------------	----------	--




DRAWING **017** Stands


NOTES NO.	CODE NO.	DESCRIPTION	VALIDITY	Q.TY 
1	556.2.034.1C	Plate		1
2	771.1.048.1A	Screw		1
3	556.1.053.1A	Side stand		1
4	779.4.005.3A	Screw		1
5	539.1.023.4B	Stand switch		1
6	799.1.158.1B	Inner spring		1
7	799.2.159.1B	Complete spring		1
8	829.1.260.2A	Plate		1
9	821.1.103.2A	Pivot		1
10	750.1.048.1A	Nut		1

NOTES NO.	CODE NO.	DESCRIPTION	VALIDITY	Q.TY 
-----------	----------	-------------	----------	--

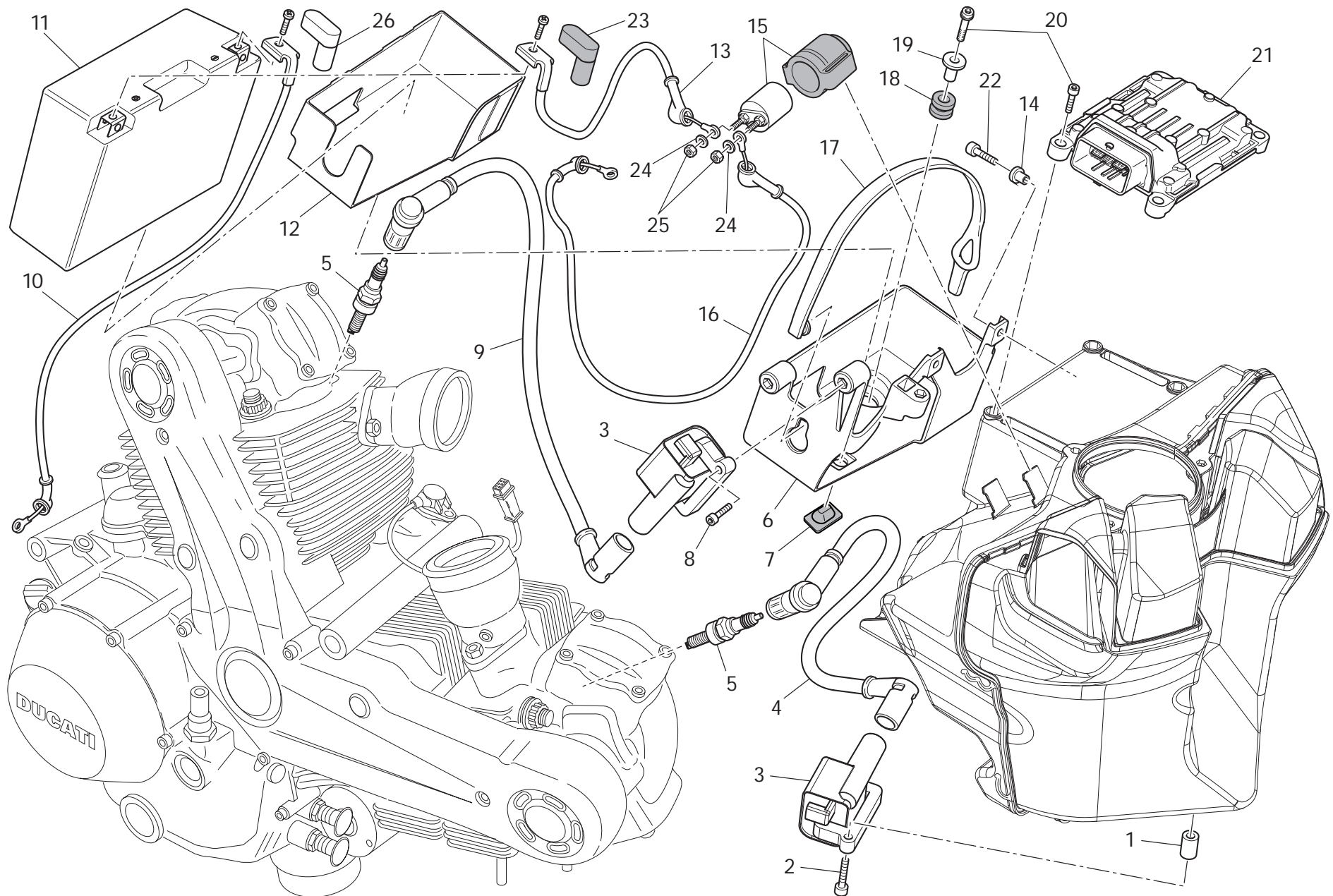


DRAWING **018** Electrical system

NOTES NO.	CODE NO.	DESCRIPTION	VALIDITY	Q.TY 
1	772.1.050.1B	Special screw		1
2	855.5.000.1B	Spring washer		1
3	771.5.663.8B	Screw		1
4	516.4.004.2B	Horn		1
5	389.4.019.1A	Fuse 5A		1
5	389.4.020.1A	Fuse 10A		1
5	389.4.021.1A	Fuse 15A		1
5	389.4.022.1A	Fuse 20A		1
5	389.4.023.1A	Fuse 30A		1
5	389.4.024.1A	Fuse 7.5A		1
6	510.1.756.1A	Main wiring harness		1
7	540.4.011.1C	Voltage rectifier		1
8	850.4.038.1A	Nut with clip		2
9	771.5.667.8B	Screw		2
10	0691.91.030	Hose guide		21
11	510.1.757.1A	Rear wiring		1
12	741.4.038.1A	Hose guide		15
13	773.5.038.8B	Screw		1
14	286.2.040.1A	Data acquisition kit		1
15	541.4.010.1A	Relay		2
16	872.1.053.1A	Cap (DDA)		1


NOTES NO.	CODE NO.	DESCRIPTION	VALIDITY	Q.TY 
-----------	----------	-------------	----------	--

DRAWING 019 Battery support



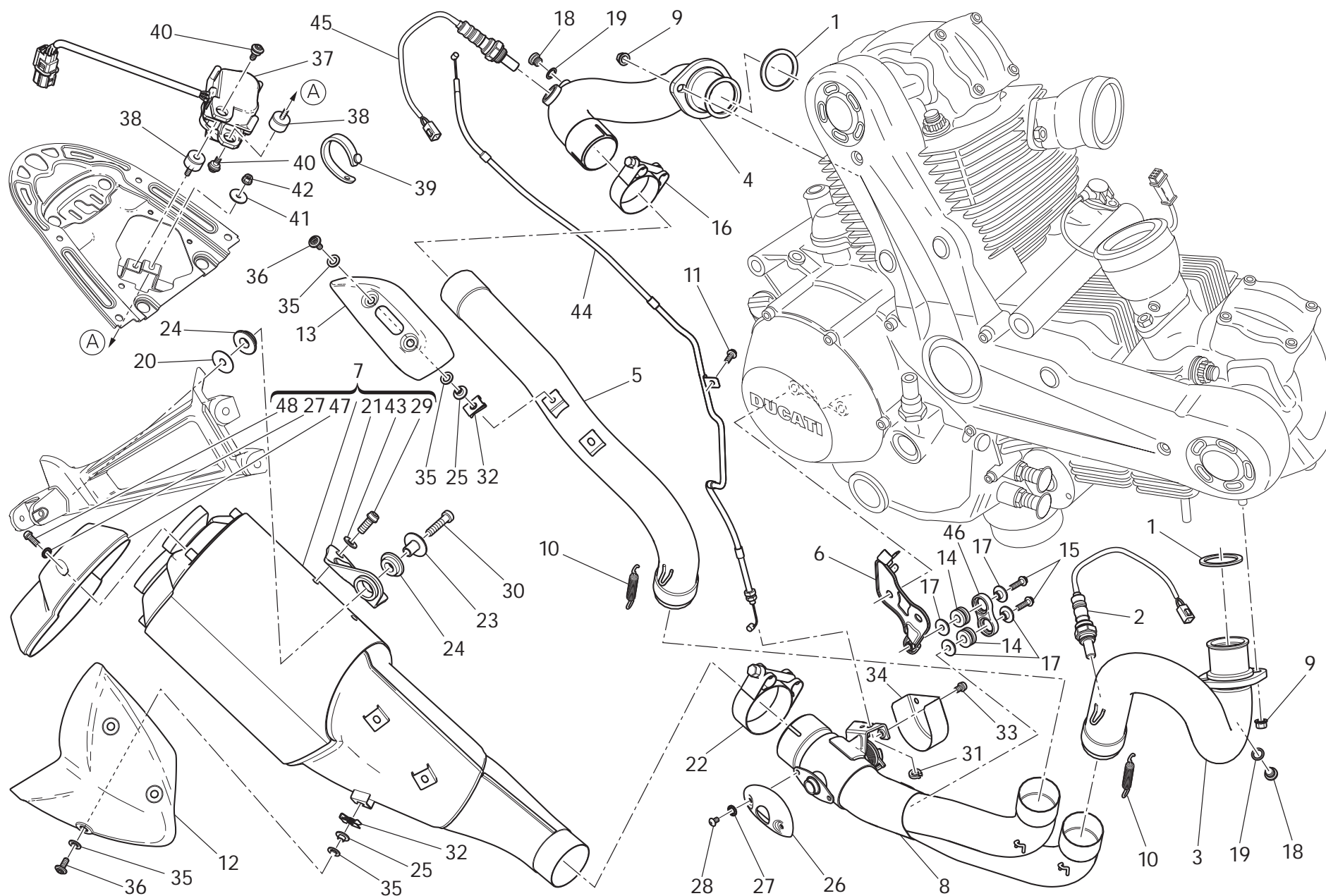
DRAWING **019** Battery support

NOTES NO.	CODE NO.	DESCRIPTION	VALIDITY	Q.TY 
1	711.1.264.1A	Bush		2
2	771.5.048.8B	Screw		2
3	380.1.015.1A	Coil		2
4	671.1.031.2B	Spark plug cable (L.H.) (horizontal)		1
5	670.4.035.1A	Spark plug		2
6	829.1.964.1B	Battery box mount		1
7	866.1.030.1A	Rubber pad		1
8	771.5.042.8B	Screw		2
9	671.1.028.2B	Spark plug cable (L.H.) (vertical)		1
10	513.1.022.1A	Battery - engine grounding cable		1
11	395.2.013.1C	Battery		1
12	866.1.098.1A	Battery carpet		1
13	514.1.064.1A	Battery - solenoid starter cable		1
14	716.1.152.1A	Spacer		2
15	3974.003.1B	Remote switch		1
16	514.1.058.1A	Solenoid starter - starter motor cable		1
17	759.1.023.1A	Rubber		1
18	764.1.090.1A	Rubber pad		1
19	716.1.022.1B	Spacer		1
20	771.5.6678B	Screw		5
21	286.4.215.1C	Injection control unit		1
22	773.5.038.8B	Screw		2
23	672.1.023.1A	Terminal cap		1
24	853.5.010.1A	Spring washer		2
25	750.5.005.1A	Nut		2
26	672.1.024.1A	Terminal cap		1

NOTES NO.	CODE NO.	DESCRIPTION	VALIDITY	Q.TY 
-----------	----------	-------------	----------	--


CATALOGUE No: 915.1.319.1B
ISSUED: 02 - 11

CATALOGUE No: 915.1.319.1B
ISSUED: 02 - 11

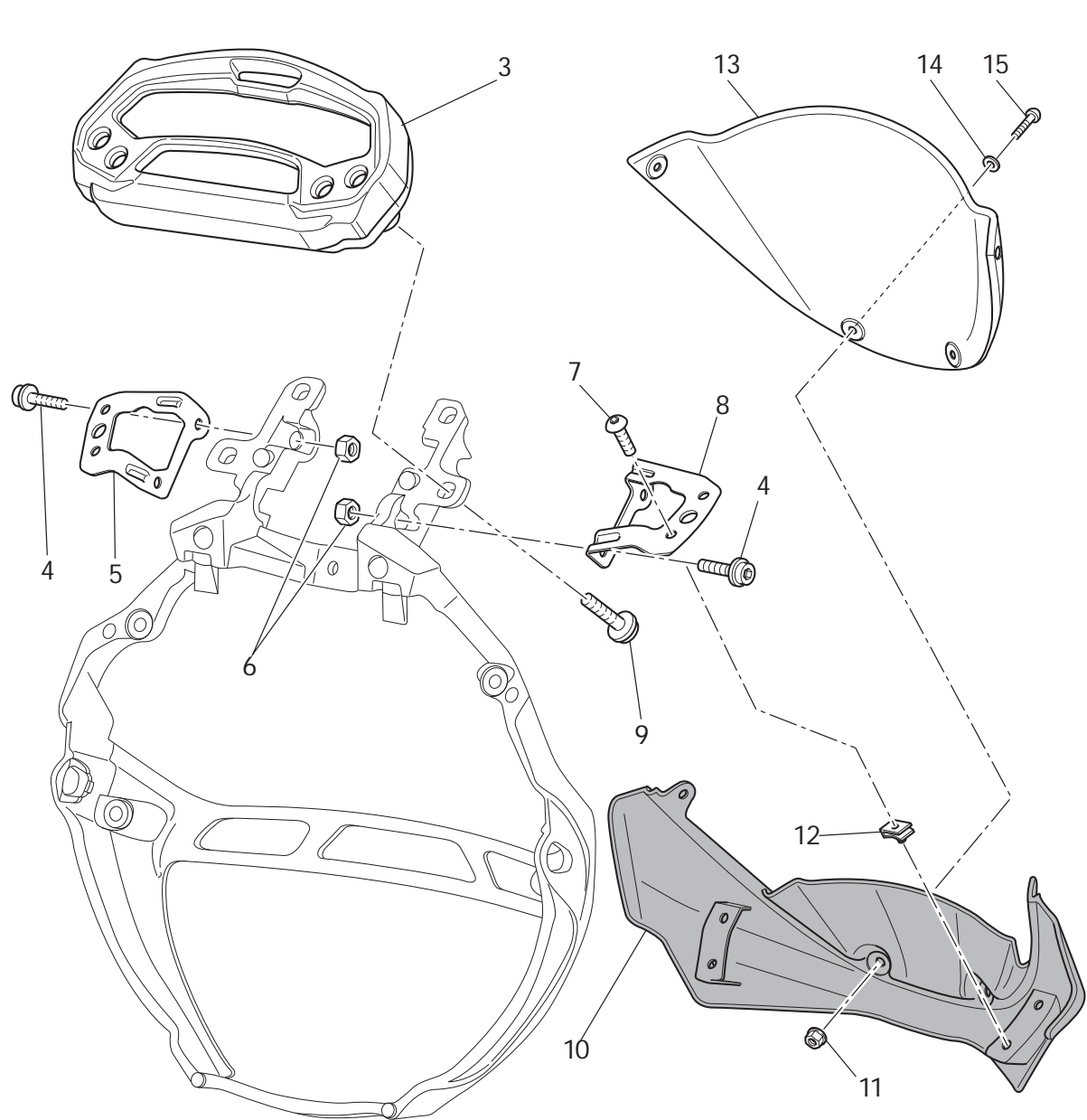
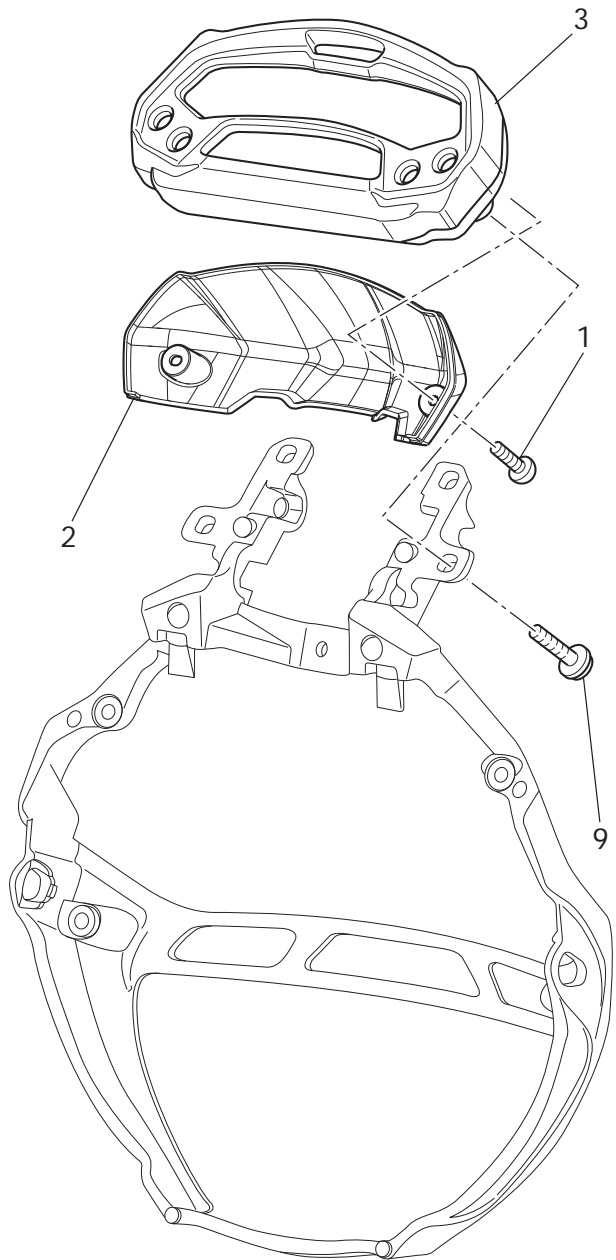


NOTES NO.	CODE NO.	DESCRIPTION	VALIDITY	Q.TY 
1	0370.84.005	Exhaust gasket		2
2	552.1.149.1A	Lambda sensor		1
3	570.1.291.1B	Horizontal head exhaust pipe		1
4	571.1.285.1A	Vertical head exhaust pipe		1
5	571.1.286.1B	Exhaust pipe (vertical)		1
6	830.1.625.1A	Bracket (bottom)		1
7	573.1.121.1C	Silencer		1
8	572.1.160.1C	Centre exhaust pipe		1
9	748.4.033.1A	Nut		4
10	799.1.048.5A	Exhaust spring (long)		2
11	772.1.045.1A	Screw		1
12	460.1.443.1B	Heat guard (rear)		1
13	460.1.324.2B	Heat guard (vertical)		1
14	764.1.064.1B	Vibration damper pad		2
15	772.5.102.3C	Screw		2
16	741.4.137.1A	Spring clamp		1
17	713.1.082.1A	Spacer		4
18	780.1.007.1A	Cap		2
19	852.5.024.1A	Gasket th.1		2
20	852.1.290.1A	Washer		1
21	576.1.073.1A	Bracket		1
22	741.4.168.1A	Clamp		1
23	713.1.436.1A	Bush		1
24	764.1.001.1A	Rubber pad		2
25	716.1.107.1A	Spacer		5
26	460.1.275.1AB	Protection		1
27	462.4.046.1A	Spring washer		6

CATALOGUE No: 915.1.319.1B
ISSUED: 02 - 11


NOTES NO.	CODE NO.	DESCRIPTION	VALIDITY	Q.TY 
28	775.5.016.1A	Screw		2
29	771.5.723.9E	Screw		2
30	773.5.506.8B	Screw		1
31	884.5.003.1A	Circlip		1
32	850.4.038.1A	Nut with clip		5
33	772.5.032.1A	Screw		2
34	460.1.293.1B	Protection		1
35	852.1.072.1B	Washer		10
36	772.1.089.3B	Screw		5
37	593.4.039.2A	Exhaust valve engine		1
38	700.1.031.1A	Vibration damper		2
39	741.1.013.1A	Hose guide		1
40	772.1.135.1AA	Screw		2
41	852.1.186.1A	Washer		1
42	750.5.001.1B	Nut		1
43	852.5.004.1C	Washer		2
44	732.1.030.1C	Flexible cable		1
45	552.1.219.1A	Lambda sensor		1
46	576.1.067.1A	Holder		1
47	460.1.446.1AA	Heat guard		1
48	775.5.025.1A	Screw		4


CATALOGUE No: 915.1.319.1B
ISSUED: 02 - 11

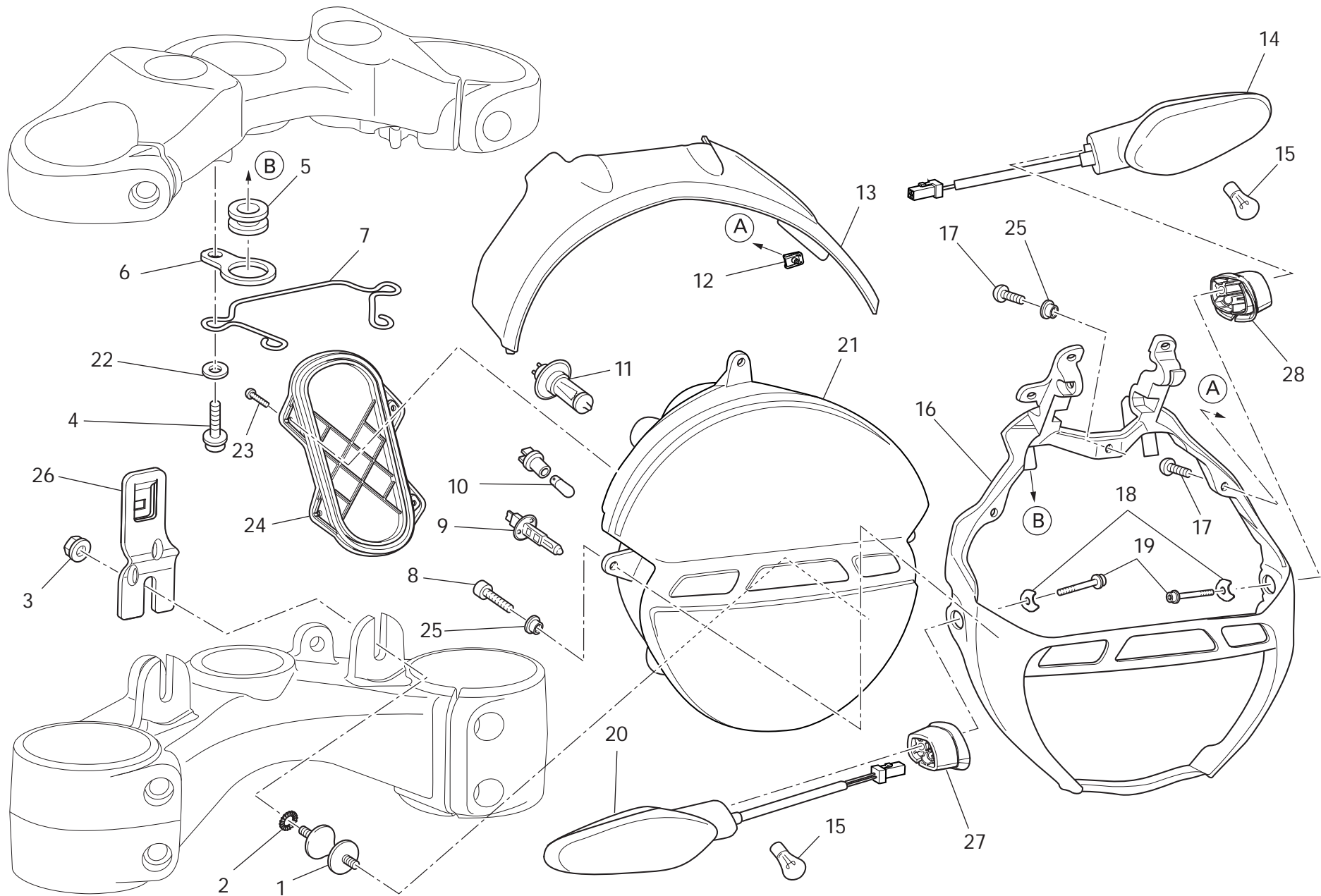


DRAWING **021**

Instrument panel - headlight fairing


NOTES NO.	CODE NO.	DESCRIPTION	VALIDITY	Q.TY 
1	775.5.001.3C	Screw		2
2	247.1.323.1A	Instrument panel cover		1
3	406.1.086.1A	Instrument panel		1
4	771.5.665.8B	Screw		4
5	829.1.971.1A	Bracket		1
6	749.4.004.1A	Nut		4
7	775.5.025.1A	Screw		4
8	829.1.968.1A	Bracket		1
9	774.4.004.1A	Screw		4
10	481.1.026.1AA	Headlight fairing (RED)		1
10	481.1.026.1AT	Headlight fairing (BLACK)		1
11	750.1.028.1A	Nut		4
12	850.4.047.1A	Nut with clip		4
13	487.1.026.1B	Windshield		1
14	852.1.024.1A	Nylon washer		4
15	775.1.007.1AB	Special screw		4

NOTES NO.	CODE NO.	DESCRIPTION	VALIDITY	Q.TY 
-----------	----------	-------------	----------	--



DRAWING **022** Headlight

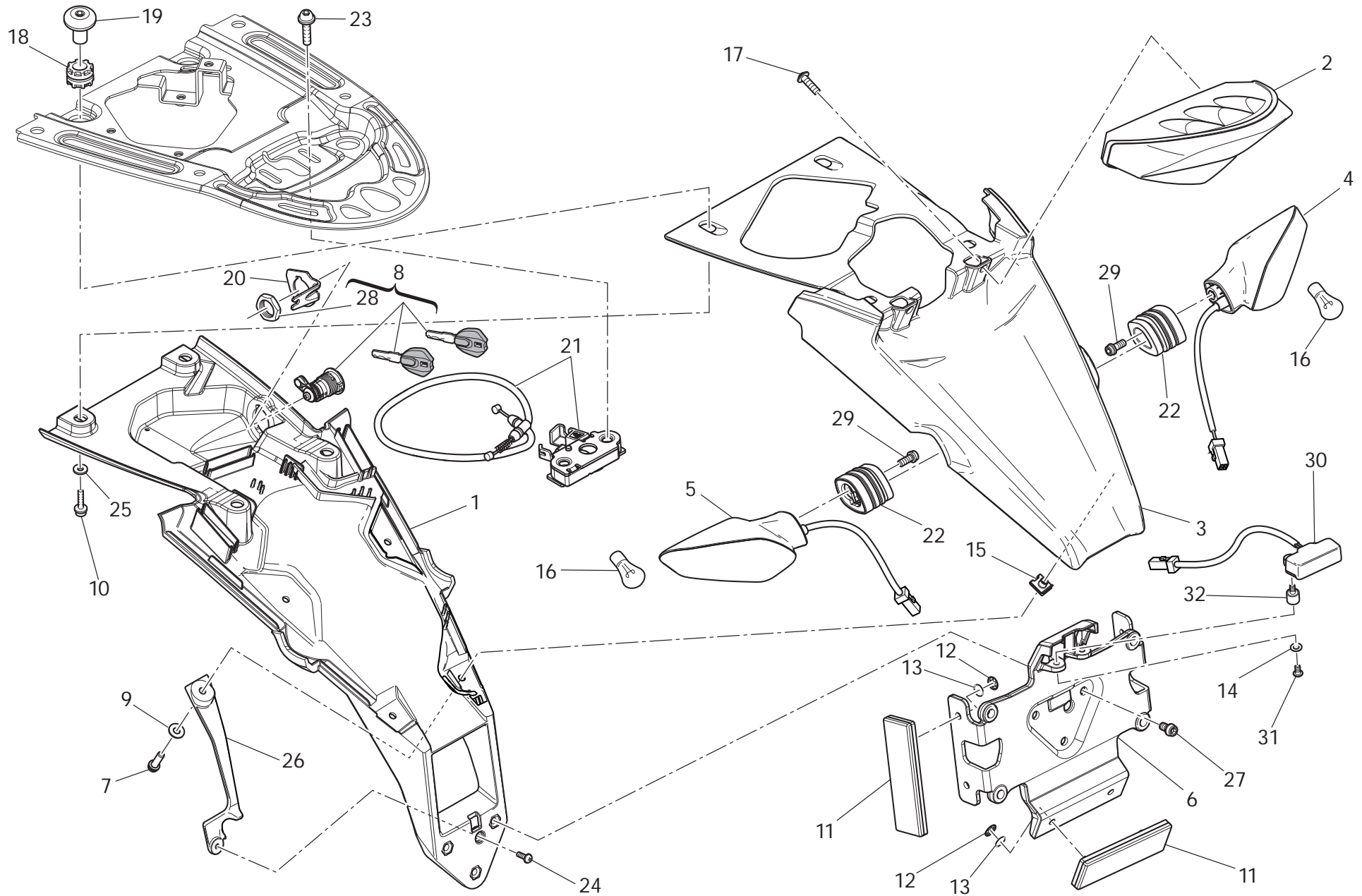
NOTES NO.	CODE NO.	DESCRIPTION	VALIDITY	Q.TY 
1	700.1.048.1B	Vibration damper		2
2	855.5.000.1B	Spring washer		2
3	750.5.001.1B	Nut		2
4	771.1.039.1A	Screw		2
5	764.1.064.1A	Vibration damper pad		2
6	830.1.364.1A	Bracket		2
7	758.1.046.1A	Fairlead		1
8	771.1.044.1A	Screw		2
9	390.4.028.1A	Bulb 12V-55W H1		1
10	390.4.019.1A	Bulb 12V-6W H6W		1
11	390.4.011.1A	Bulb 12V-55W H7		1
12	850.4.047.1A	Nut with clip		3
13	247.1.322.1A	Cover		1
14	530.1.022.4A	Turn indicator (L.H.)		1
15	390.4.021.1A	Bulb 12V-10W RY10W		2
16	829.1.967.3AB	Headlight holder		1
17	775.1.011.1B	Screw		3
18	827.1.493.1A	Plate		2
19	771.5.651.8B	Screw		2
20	530.1.023.4A	Turn indicator (R.H.)		1
21	520.1.017.2B	Headlight		1
22	852.1.176.1A	Washer		2
23	771.1.235.1A	Screw		4
24	247.1.341.1A	Cover		1
25	716.1.406.1A	Spacer		3
26	829.1.976.1B	Holder		1
27	713.1.437.1A	Spacer (R.H.)		1

NOTES NO.	CODE NO.	DESCRIPTION	VALIDITY	Q.TY 
28	713.1.421.1A	Spacer (L.H.)		1

CATALOGUE No: 915.1.319.1B
ISSUED: 02 - 11


CATALOGUE No: 915.1.319.1B
ISSUED: 02 - 11

DRAWING 023 Number plate holder - tail light



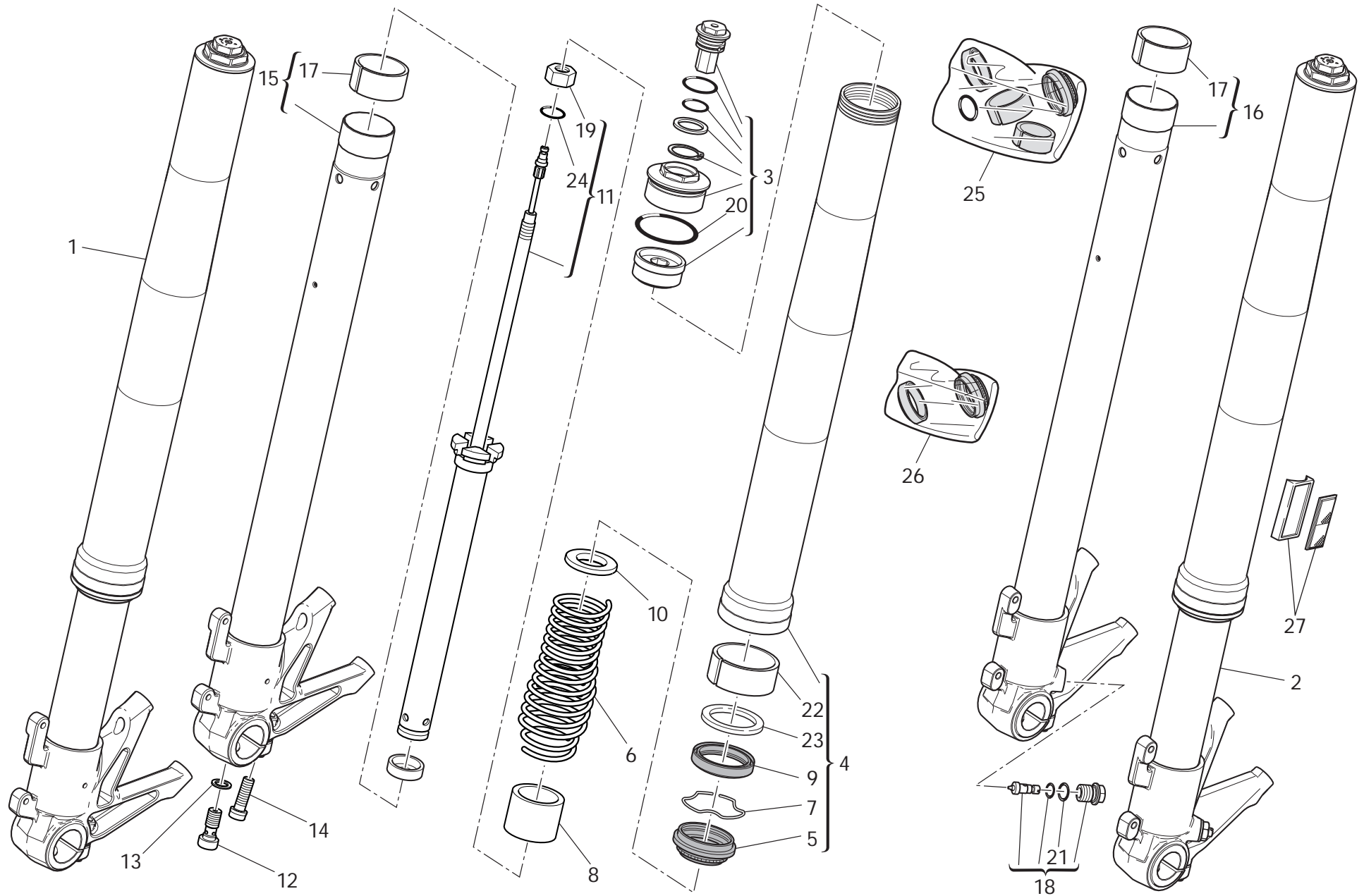
DRAWING **023** Number plate holder - tail light

NOTES NO.	CODE NO.	DESCRIPTION	VALIDITY	Q.TY 
1	247.1.380.1B	Mudflap		1
2	525.1.034.2A	Tail light		1
3	561.1.049.1B	Protection		1
4	530.1.022.4A	Turn indicator (R.H.)		1
5	530.1.023.4A	Turn indicator (L.H.)		1
6	561.1.051.1B	Number plate holder		1
7	771.5.641.8B	Screw		4
8	598.2.061.1A	Seat lock		1
9	852.4.013.1A	Washer		4
10	771.5.662.8B	Screw		4
11	529.1.010.1A	Reflector		3
12	850.4.052.1A	Quik fastening		6
13	886.4.064.1A	O-ring		6
14	852.1.251.1A	Washer		2
15	850.4.047.1A	Nut with clip		3
16	390.4.021.1A	Bulb 12V-10W RY10W		2
17	774.4.004.1A	Screw		2
18	764.1.022.1A	Vibration damper pad		4
19	779.1.560.1A	Special screw		4
20	827.1.482.1A	Plate		1
21	598.1.012.1A	Lock latch		1
22	713.1.470.2A	Spacer		2
23	779.1.555.1A	Special screw		2
24	774.4.010.1A	Screw		1
25	852.1.160.1B	Washer		4
26	247.1.390.1A	Cover		1
27	771.5.664.8B	Screw		3

NOTES NO.	CODE NO.	DESCRIPTION	VALIDITY	Q.TY 
28	750.1.155.1A	Special nut		1
29	771.5.637.8B	Screw		2
30	525.1.043.2B	Number plate light		1
31	775.1.016.1A	Screw		2
32	700.1.069.1A	Vibration damper		2

CATALOGUE No: 915.1.319.1B
ISSUED: 02 - 11


CATALOGUE No: 915.1.319.1B
ISSUED: 02 - 11



DRAWING **024**

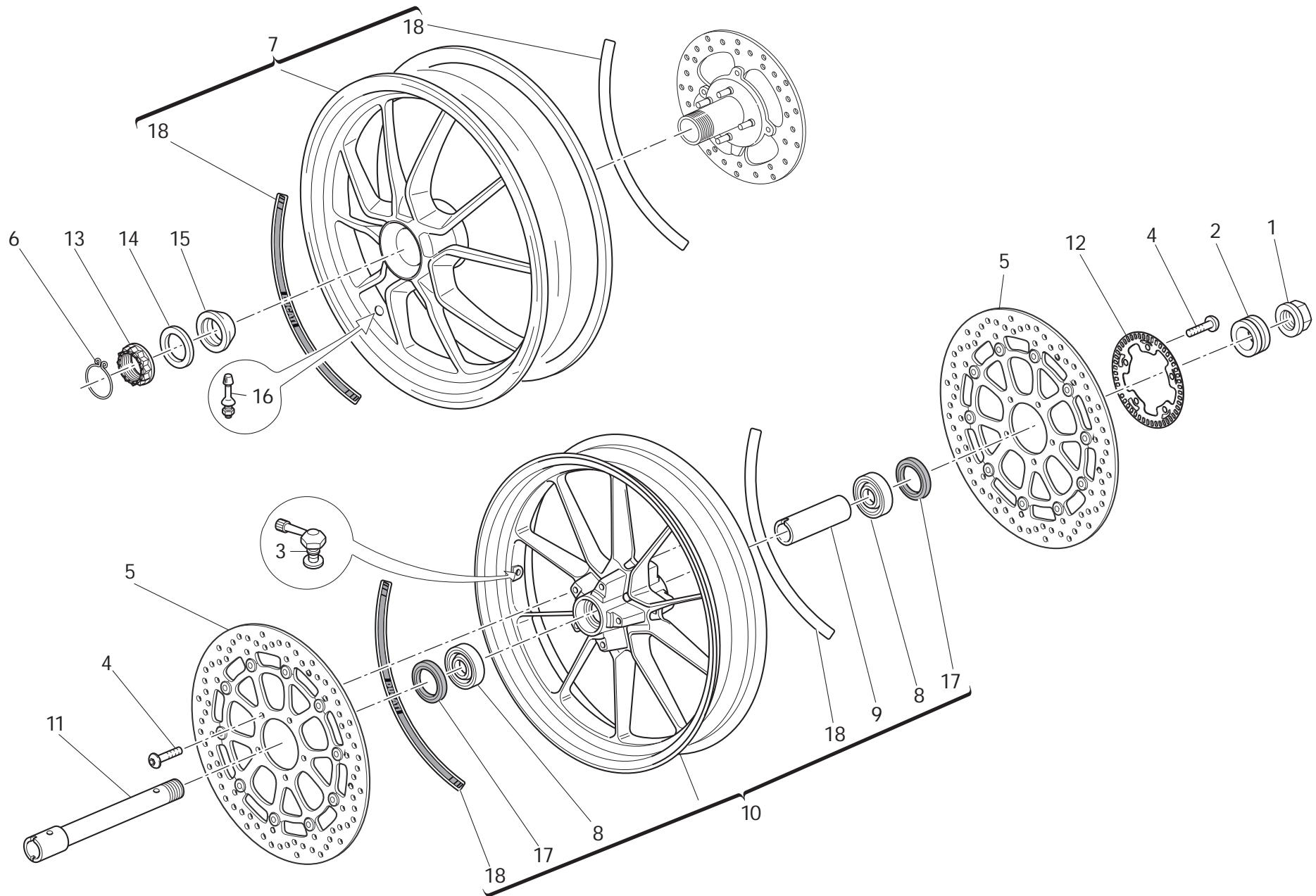
Front forks

NOTES NO.	CODE NO.	DESCRIPTION	VALIDITY	Q.TY 
1	344.2.035.1B	R.H. fork leg assembly		1
2	345.2.035.1B	L.H. fork leg assembly		1
3	349.2.096.1A	Complete cap		2
4	349.2.092.1A	Stanchion tube		2
5	349.1.328.1A	Dust seal		2
6	349.1.348.1A	Spring		2
7	349.1.144.1A	Check ring		2
8	349.1.349.1A	Preload tube		2
9	349.1.146.1A	Seal ring		2
10	349.1.347.1A	Bush		2
11	349.2.093.1A	Damper tube		2
12	349.1.249.1A	Special screw		2
13	349.1.001.1A	Special washer		2
14	771.5.725.2B	Screw		4
15	349.2.095.1A	Fork bottom end + sleeve unit (R.H.)		1
16	349.2.094.1A	Fork bottom end + sleeve unit (L.H.)		1
17	349.1.150.1A	Lower bush		2
18	349.2.067.1A	Adjusting screw		2
19	349.1.315.1A	Nut		2
20	349.1.147.1A	O-Ring		2
21	349.1.250.1A	O-Ring		2
22	349.1.151.1A	Upper bush		2
23	349.1.152.1A	Retainer		2
24	349.1.317.1A	O-Ring		2
25	349.1.350.1A	Overhaul kit		2
26	349.1.351.1A	Seal kit		2
27	529.1.001.2A	Cat's eye (AMBER)		2


NOTES NO.	CODE NO.	DESCRIPTION	VALIDITY	Q.TY 
-----------	----------	-------------	----------	--

CATALOGUE No: 915.1.319.1B
ISSUED: 02 - 11

CATALOGUE No: 915.1.319.1B
ISSUED: 02 - 11

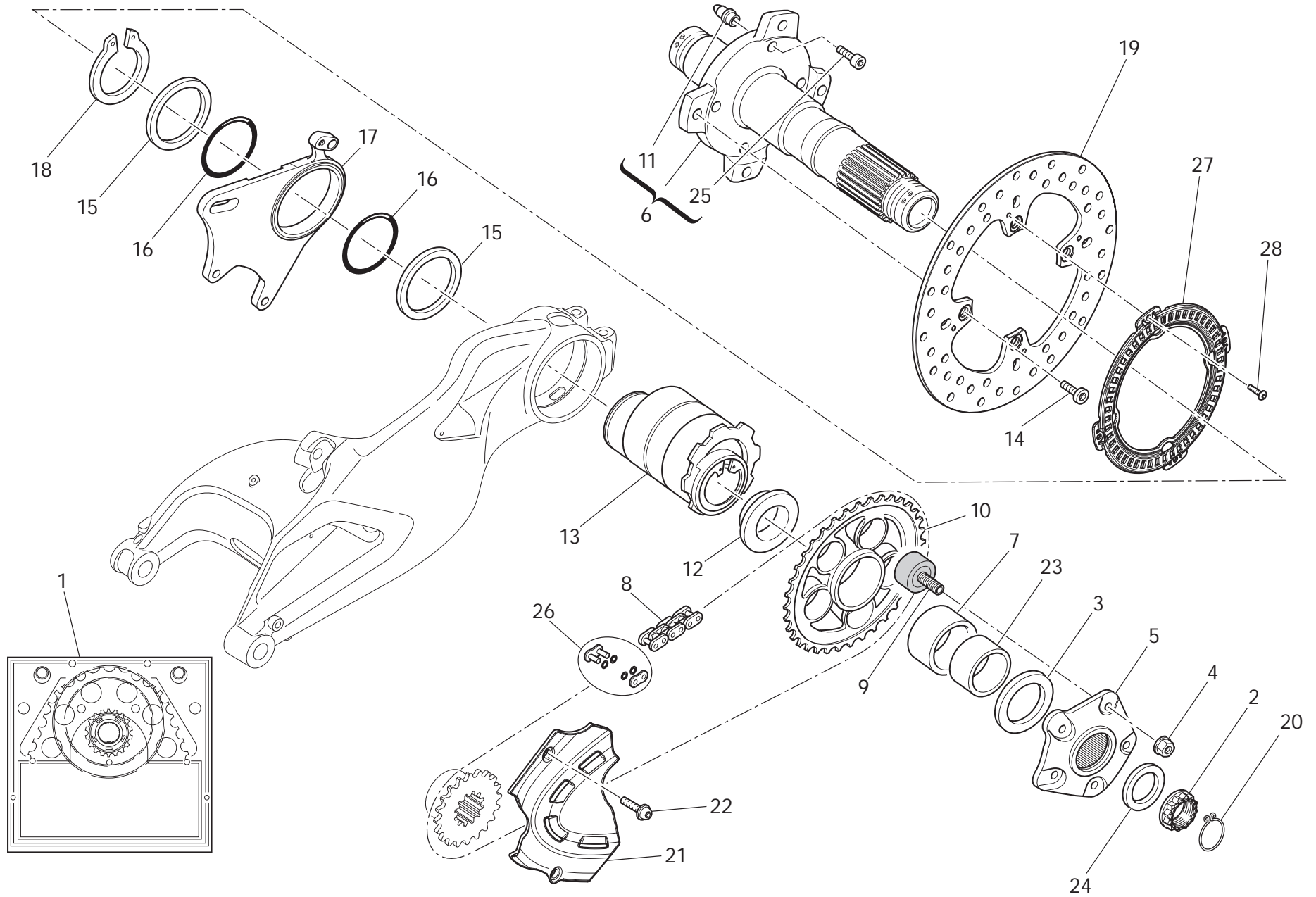


DRAWING **025** Front and rear wheels

NOTES NO.	CODE NO.	DESCRIPTION	VALIDITY	Q.TY 
1	748.1.014.1C	Nut		1
2	713.1.197.3A	Spacer (L.H.)		1
3	497.2.001.2A	Valve		1
4	779.1.399.1A	Screw		10
5	492.4.101.1A	Brake disc		2
6	759.1.009.1A	Clip		1
7	502.1.145.1AT	Wheel rim (rear)		1
8	702.5.062.1A	Bearing		2
9	714.1.094.1A	Spacer (internal)		1
10	501.2.127.1AT	Wheel rim (front)		1
11	819.1.043.1A	Front wheel spindle		1
12	504.1.005.1A	Impulse wheel (front)		1
13	750.1.159.1AA	Nut		1
14	852.1.057.1A	Washer		1
15	714.1.027.1A	Special washer		1
16	497.2.003.1A	Valve		1
17	930.4.150.1A	Seal ring		2
18	438.1.472.1A	Sticker "DUCATI"		4


NOTES NO.	CODE NO.	DESCRIPTION	VALIDITY	Q.TY 
-----------	----------	-------------	----------	--

DRAWING 025a Rear wheel axle



DRAWING **025a** Rear wheel axle

NOTES NO.	CODE NO.	DESCRIPTION	VALIDITY	Q.TY 
1	676.2.072.1A	Final drive kit		1
2	750.1.158.1AA	Nut		1
3	852.1.058.2A	Washer		1
4	748.4.024.1AB	Nut		5
5	160.1.421.1A	Rear sprocket flange		1
6	819.Z.001.1B	Wheel spindle (rear)		1
7	712.1.018.1A	Bush		1
8	676.4.073.1A	Chain		1
9	700.9.055.1A	Rubber cush drive hub		5
10	494.2.138.1A	Ring gear		1
11	863.1.001.1D	Pin		4
12	714.1.041.1A	Spacer		1
13	756.2.006.2A	Eccentric		1
14	773.1.006.1A	Screw		4
15	852.1.059.1A	Washer		2
16	886.5.003.1A	O-Ring		2
17	825.1.043.1A	Caliper holder plate (ABS)		1
18	884.5.004.1A	Circlip		1
19	492.1.005.1A	Rear brake disc (ABS)		1
20	759.1.008.1A	Clip		1
21	247.1.331.1A	Sprocket cover		1
22	775.5.021.3C	Screw		2
23	711.1.067.1A	Bush		1
24	852.1.055.1A	Washer		1
25	772.1.005.1B	Screw		4
26	677.4.014.1A	Drive chain joint		1
27	504.1.007.1A	Impulse wheel (rear)		1


NOTES NO.	CODE NO.	DESCRIPTION	VALIDITY	Q.TY 
28	775.1.063.1A	Screw		4

CATALOGUE No: 915.1.319.1B
ISSUED: 02 - 11

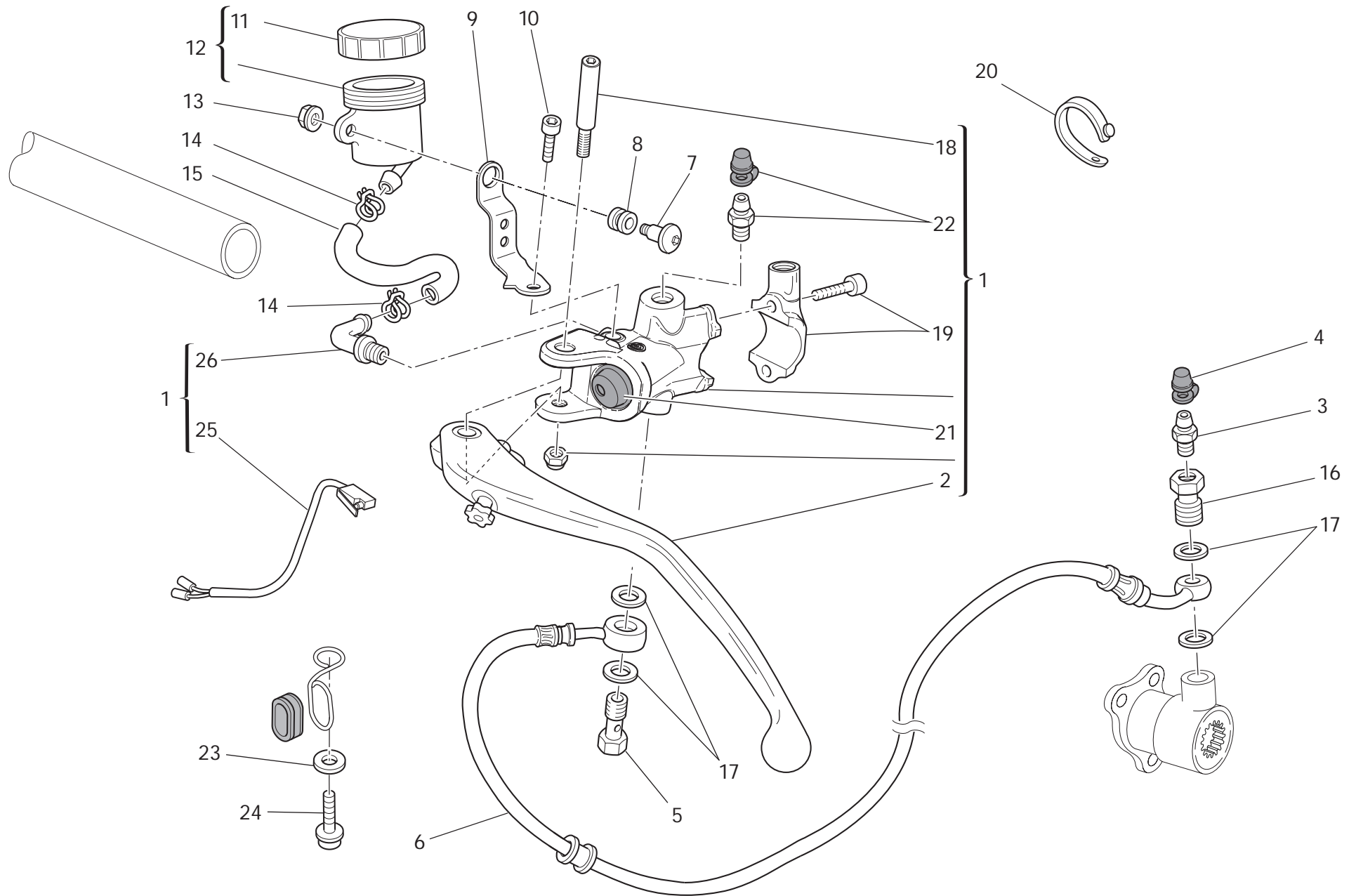
CATALOGUE No: 915.1.319.1B
ISSUED: 02 - 11

NOTES NO.	CODE NO.	DESCRIPTION	VALIDITY	Q.TY 
1	747.5.007.1A	Nut		2
2	778.5.028.1A	Threaded dowel		2
3	342.2.054.2A	Steering head base		1
4	852.1.103.1A	Washer		1
5	930.1.004.1B	Seal ring		2
6	702.4.123.1A	Bearing		2
7	771.5.725.8B	Screw		7
8	523.4.022.2A	Rear-view mirror (R.H.)		1
9	523.4.023.2A	Rear-view mirror (L.H.)		1
10	700.1.054.1A	Vibration damper		2
11	748.4.024.1AB	Nut		2
12	703.1.013.1A	Ring nut		1
13	771.5.727.8B	Screw		4
14	651.1.010.1A	L.H. switch		1
15	8000.78345	Grips pair		1
16	360.1.095.4A	Handlebar		1
17	771.1.373.1A	Screw (L.H.)		1
18	598.4.029.1A	Wrench without Transponder		1
19	771.1.374.1A	Screw (R.H.)		1
20	654.2.003.2A	Throttle control		1
21	872.1.058.1A	Cap		2
22	462.1.002.1A	Spring washer		2
23	341.2.068.1A	Steering head		1
24	360.1.089.1A	Single U-bolt (upper)		1
25	650.1.007.1C	Switch (R.H.)		1
26	656.1.096.1A	Throttle control transmission		1
27	8000.66774	Screw		2

CATALOGUE No: 915.1.319.1B
ISSUED: 02 - 11


NOTES NO.	CODE NO.	DESCRIPTION	VALIDITY	Q.TY 
28	772.5.101.8B	Screw		2
29	658.4.002.1B	Cover		1
30	652.4.014.1C	Switch		1
31	360.1.127.1A	Single U-bolt (bottom)		1
32	749.1.002.1A	Special nut		2
33	247.1.363.1A	Cover (ABS)		1
34	771.5.941.8B	Screw		2
35	852.1.049.1B	Washer		2
36	852.5.040.1A	Washer		2
37	518.4.005.1B	Antenna		1
38	779.1.537.1A	Special screw		2
39	598.4.028.1A	Wrench with Transponder		1

CATALOGUE No: 915.1.319.1B
ISSUED: 02 - 11



DRAWING **027** Clutch control

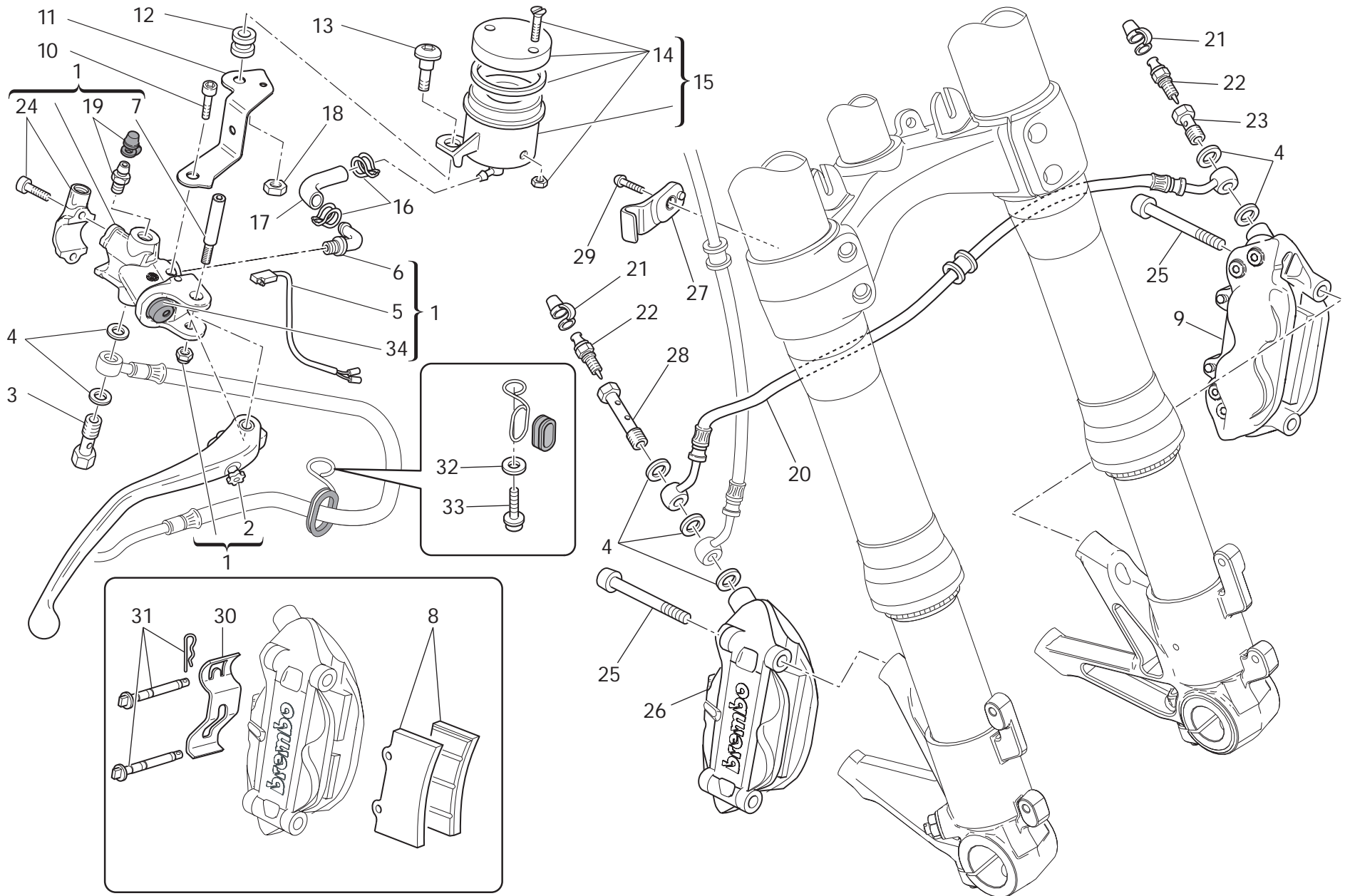
NOTES NO.	CODE NO.	DESCRIPTION	VALIDITY	Q.TY 
1	630.4.057.1A	Clutch drive pump		1
2	631.4.046.1A	Clutch control lever		1
3	187.1.002.1A	Bleed		1
4	612.4.005.1A	Dust seal		1
5	779.1.366.1AB	Special screw		1
6	632.1.060.2A	Clutch control pipe		1
7	779.1.092.1A	Screw		1
8	0370.72.020	Vibration damper pad		1
9	829.1.708.1A	Bracket		1
10	773.5.062.3B	Screw		1
11	893.4.005.1A	Cap		1
12	585.4.008.1A	Complete oil tank		1
13	8000.56443	Nut		1
14	741.4.043.1A	Hose guide		2
15	877.1.068.1A	Tube		1
16	779.1.397.1A	Special screw		1
17	852.5.024.1A	Gasket th.1		4
18	626.4.056.1A	Pin		1
19	626.4.064.1A	Spare bracket		1
20	8000.53724	Hose guide		1
21	612.4.039.1A	Dust cover		1
22	631.4.028.1A	Spare bleed union		1
23	852.1.176.1A	Washer		1
24	771.1.039.1A	Screw		1
25	539.4.066.1A	Microswitch		1
26	631.4.008.1A	Spare union		1

NOTES NO.	CODE NO.	DESCRIPTION	VALIDITY	Q.TY 
-----------	----------	-------------	----------	--

CATALOGUE No: 915.1.319.1B
ISSUED: 02 - 11

CATALOGUE No: 915.1.319.1B
ISSUED: 02 - 11


DRAWING 028 Front brake



DRAWING **028** Front brake

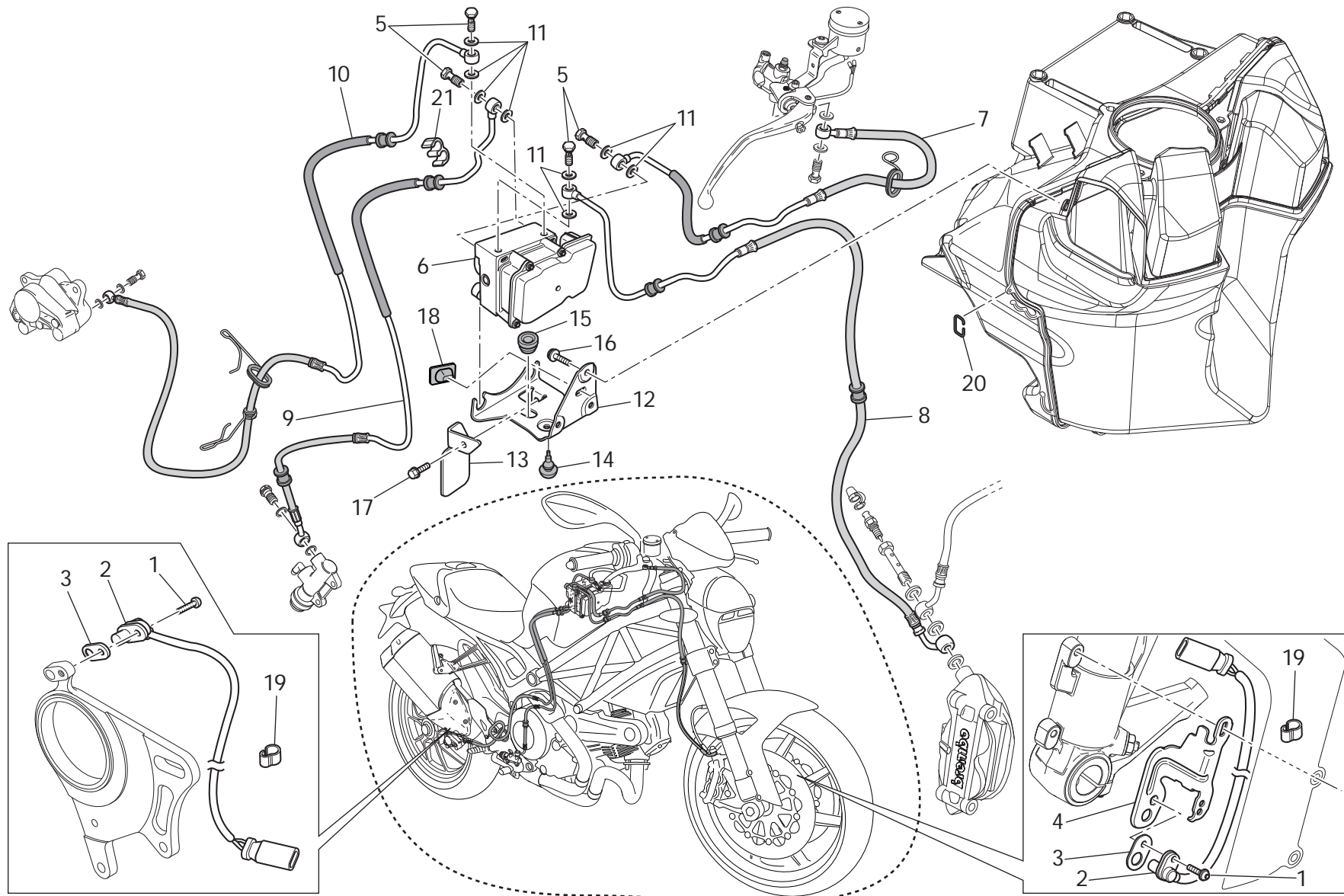
NOTES NO.	CODE NO.	DESCRIPTION	VALIDITY	Q.TY 
1	624.4.055.1A	Front brake pump		1
2	631.4.019.1A	Brake control lever		1
3	779.1.415.1A	Special screw		1
4	852.5.024.1A	Gasket th.1		7
5	539.4.035.1A	Microswitch		1
6	631.4.008.1A	Spare union		1
7	626.4.056.1A	Pin		1
8	613.4.020.1A	Pads pair		2
9	610.4.096.1A	Brake caliper (L.H.)		1
10	773.5.062.3B	Screw		1
11	829.1.977.1A	Bracket		1
12	0370.72.020	Vibration damper pad		1
13	779.1.092.1A	Screw		1
14	8000.68490	Spare cap		1
15	585.4.009.1A	Complete oil tank		1
16	741.4.043.1A	Hose guide		2
17	877.1.111.1A	Tube		1
18	8000.56443	Nut		1
19	631.4.028.1A	Spare bleed union		1
20	618.4.087.2A	Front brake line		1
21	612.4.005.1A	Dust seal		2
22	187.1.002.1A	Bleed		2
23	779.1.397.1A	Special screw		1
24	626.4.065.1A	Spare bracket		1
25	779.1.331.1D	Screw		4
26	610.4.097.1A	Brake caliper (R.H.)		1
27	830.1.479.1A	Bracket		1

CATALOGUE No: 915.1.319.1B
ISSUED: 02 - 11


NOTES NO.	CODE NO.	DESCRIPTION	VALIDITY	Q.TY 
28	779.1.465.1A	Special screw		1
29	775.1.054.1A	Screw		1
30	612.4.017.1A	Plate		1
31	612.4.014.1A	Spare pins and spring		1
32	852.1.176.1A	Washer		1
33	771.1.039.1A	Screw		1
34	612.4.039.1A	Dust cover		1


CATALOGUE No: 915.1.319.1B
ISSUED: 02 - 11

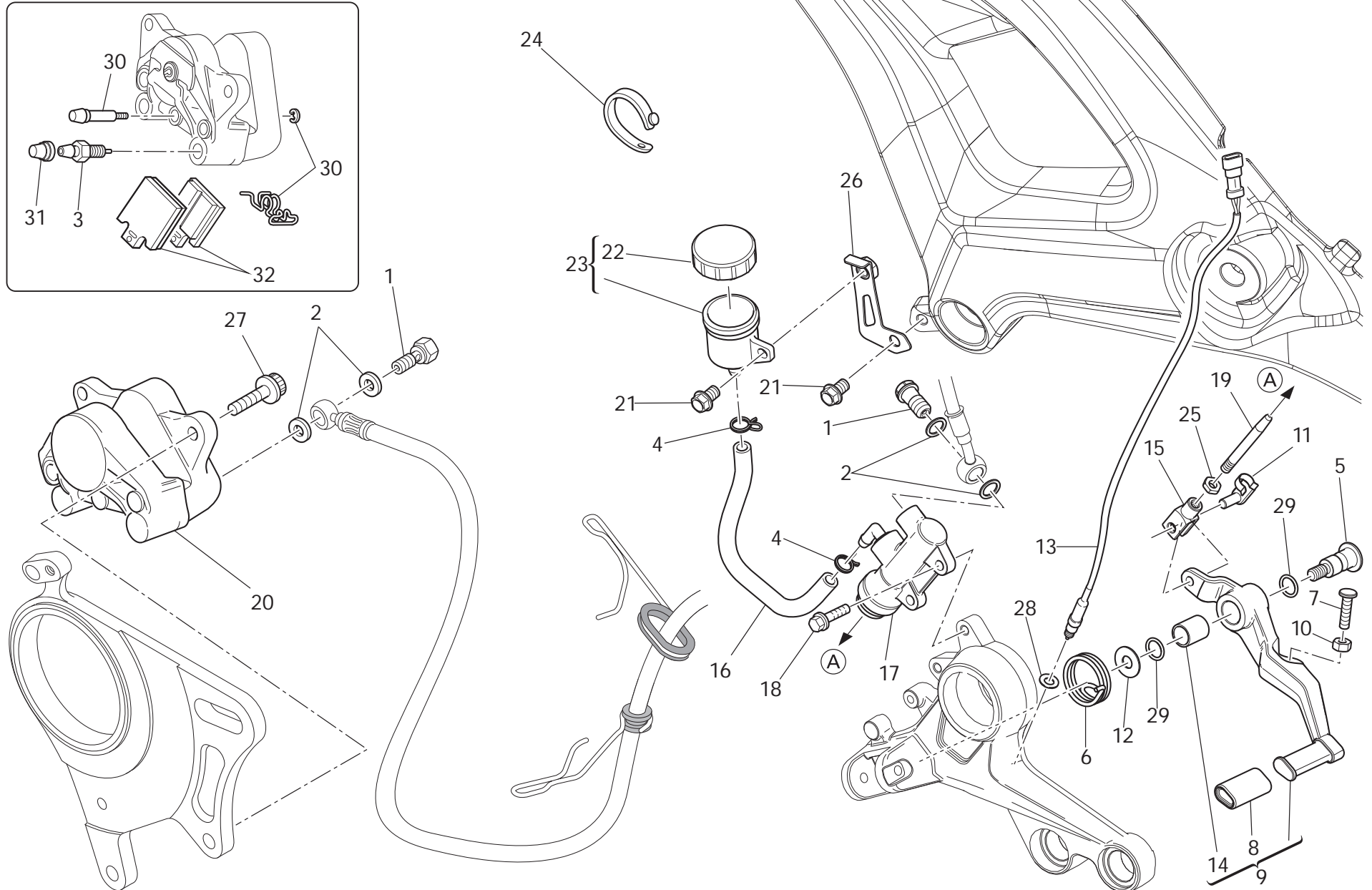
DRAWING 028a Antilock braking system (abs)



DRAWING **028a** Antilock braking system (abs)

NOTES NO.	CODE NO.	DESCRIPTION	VALIDITY	Q.TY 
1	772.1.042.3C	Screw		2
2	552.1.212.1B	Speed sensor (ABS) (front)		2
3	713.1.490.1A	Gasket th.02		4
3	713.1.920.1A	Gasket th.0.5		10
4	830.1.542.2A	Holder sensor (ABS) (front)		1
5	779.1.366.1AB	Special screw (rear)		4
6	542.4.023.1A	ABS unit		1
7	618.4.110.2A	Front master cylinder - CPU line		1
8	618.4.094.2A	CPU - front calipers line		1
9	619.4.052.2A	Rear master cylinder - CPU line		1
10	619.4.046.2B	CPU - rear caliper line		1
11	852.5.024.1A	Gasket th.1		8
12	830.1.569.1A	Holder (ABS)		1
13	830.1.576.1B	Bracket (Fuse)		1
14	866.4.003.1A	Rubber pad (bottom)		1
15	866.4.005.1A	Rubber pad (upper)		1
16	779.5.046.1A	Screw		3
17	772.5.071.8B	Screw		1
18	866.1.030.1A	Rubber pad		1
19	758.4.060.1A	Fairlead		10
20	759.1.026.1A	Clip		1
21	758.4.061.1A	Fairlead		1


NOTES NO.	CODE NO.	DESCRIPTION	VALIDITY	Q.TY 
-----------	----------	-------------	----------	--



DRAWING **029**

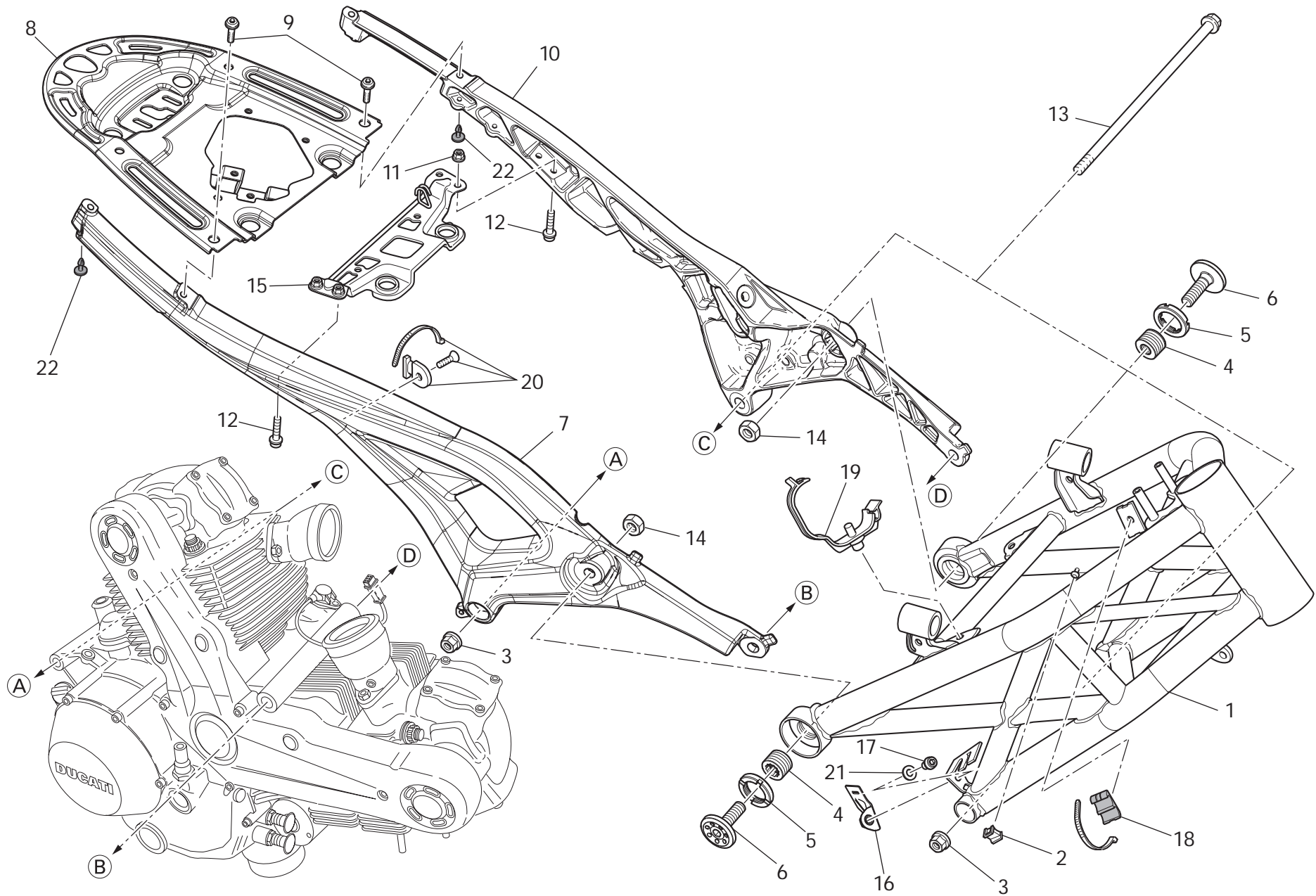
Rear brake

NOTES NO.	CODE NO.	DESCRIPTION	VALIDITY	Q.TY 
1	779.1.366.1AB	Special screw		2
2	852.5.024.1A	Gasket th.1		4
3	631.4.016.1A	Bleed		1
4	741.4.043.1A	Hose guide		2
5	821.1.170.1B	Pin		1
6	799.1.489.1B	Spring		1
7	779.1.237.1B	Adjusting screw		1
8	764.1.011.2A	Rubber pad		1
9	457.2.052.1AA	Brake control lever		1
10	747.5.003.1A	Nut		1
11	850.1.015.1A	Quik fastening		1
12	852.1.151.1A	Washer		1
13	539.4.003.1C	Brake switch		1
14	712.1.034.1A	Bush		1
15	184.1.005.1A	Fork		1
16	877.1.150.1A	Tube		1
17	625.4.004.1A	Rear brake pump		1
18	772.1.063.1A	Screw		2
19	117.1.067.1B	Adjuster rod		1
20	611.4.020.1A	Rear brake caliper		1
21	772.1.059.1A	Screw		2
22	893.4.005.1A	Cap		1
23	585.4.001.1A	Complete oil tank		1
24	8000.53724	Hose guide		2
25	747.5.005.1B	Nut		1
26	827.1.620.1A	Plate		1
27	771.5.723.8B	Screw		2


NOTES NO.	CODE NO.	DESCRIPTION	VALIDITY	Q.TY 
28	420.2.000.8A	Copper gasket sp. 1		1
29	886.4.116.1A	O-ring		2
30	612.4.016.1A	Spare pins and spring		1
31	612.4.008.1A	Dust seal		1
32	613.4.038.1A	Pads pair		1


CATALOGUE No: 915.1.319.1B
ISSUED: 02 - 11

CATALOGUE No: 915.1.319.1B
ISSUED: 02 - 11

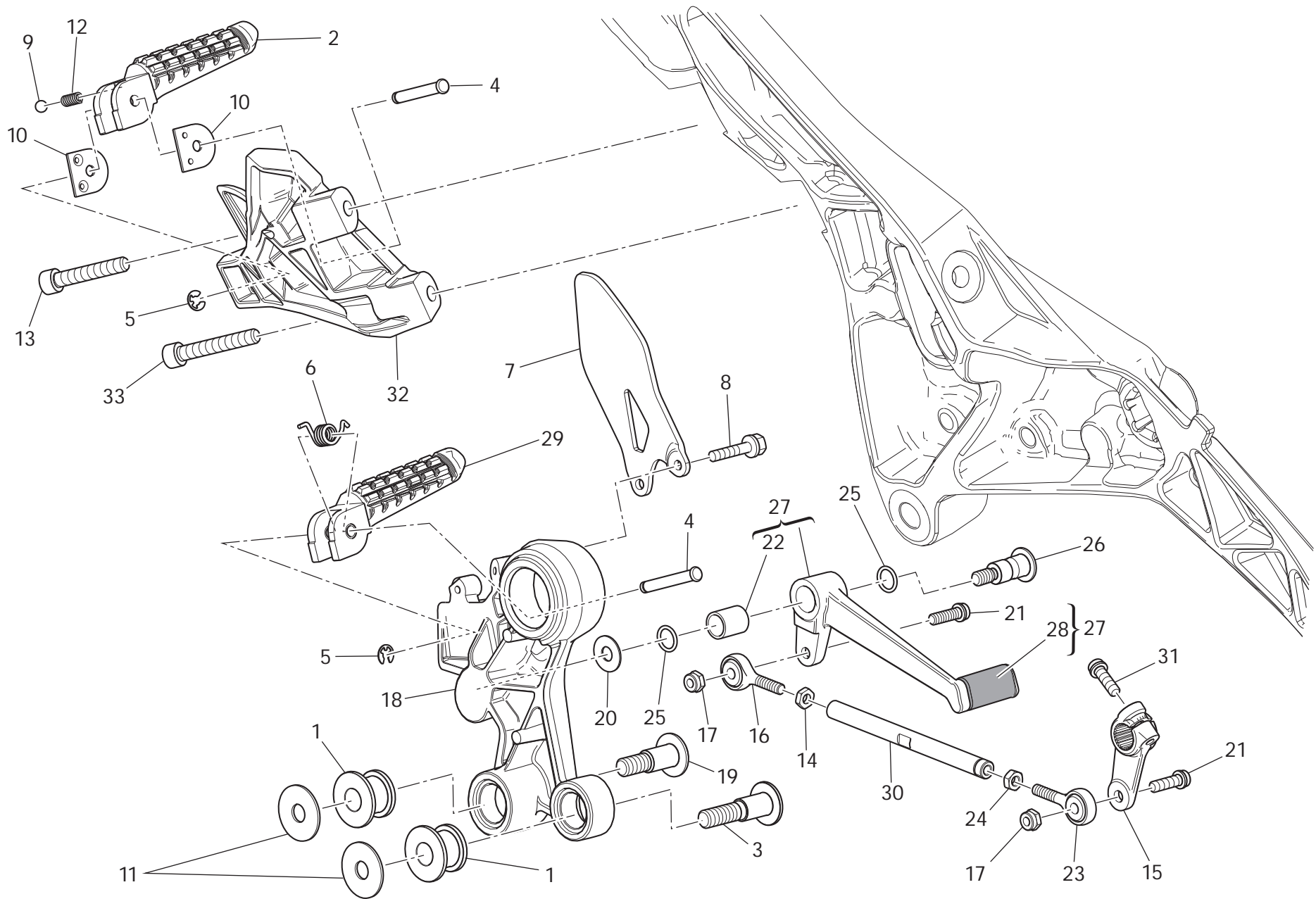


DRAWING **030** Frame

NOTES NO.	CODE NO.	DESCRIPTION	VALIDITY	Q.TY 
1	470.2.196.5AA	Frame (RED)		1
1	470.2.196.5AK	Frame (RACINGREY)		1
2	850.4.067.1A	Clamp		10
3	748.4.002.1A	Nut		2
4	779.1.536.1A	Threaded dowel		2
5	703.1.049.1A	Ring nut		2
6	779.1.535.1A	Special screw		2
7	471.1.013.2C	Rear frame (R.H.)		1
8	829.1.A07.1B	Plate		1
9	772.4.058.3C	Screw		4
10	471.1.012.2C	Rear frame (L.H.)		1
11	748.1.040.1A	Nut		2
12	771.5.665.8B	Screw		4
13	779.1.213.1A	Special screw		2
14	750.1.153.1A	Special nut		2
15	829.1.969.1B	Bracket		1
16	827.1.618.1A	Plate		1
17	772.4.039.8C	Screw		1
18	866.1.112.1A	Rubber pad		1
19	758.4.020.1A	Hose guide		1
20	699.2.610.1A	Clamp kit		3
21	852.5.027.1A	Washer		1
22	872.4.056.1A	Cap		6


NOTES NO.	CODE NO.	DESCRIPTION	VALIDITY	Q.TY 
-----------	----------	-------------	----------	--

DRAWING 031 L.h. footrests



DRAWING **031** L.h. footrests

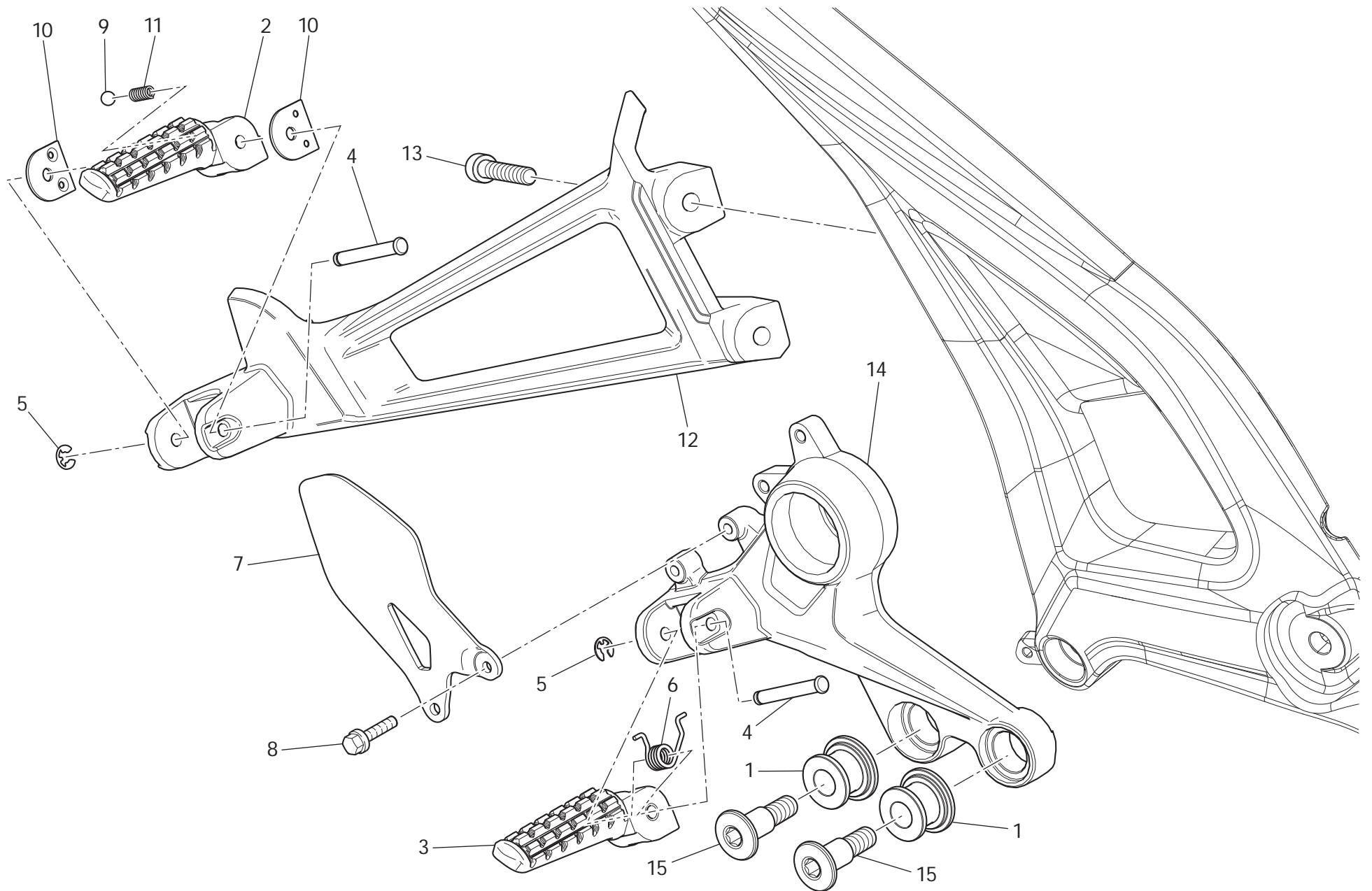
NOTES NO.	CODE NO.	DESCRIPTION	VALIDITY	Q.TY 
1	700.1.049.1A	Vibration damper		2
2	465.1.061.1A	Rear foot peg (L.H.)		1
3	779.1.206.1AB	Special screw		1
4	821.1.090.1B	Pin		2
5	884.5.003.1A	Circlip		2
6	799.1.499.1A	Spring		1
7	460.1.449.1A	Heel guard (L.H.)		1
8	772.1.062.3B	Screw		2
9	847.4.002.1A	Ball		1
10	827.1.161.1B	Plate		2
11	852.1.065.1B	Washer		2
12	799.1.024.1A	Spring		1
13	771.5.130.8B	Screw		2
14	747.5.005.1B	Nut		1
15	456.1.046.1B	Gearchange control lever		1
16	848.5.002.1A	Ball joint		1
17	749.5.004.1A	Nut		2
18	824.1.179.1A	Foot peg holder plate (L.H.)		1
19	779.1.205.1AB	Special screw		1
20	852.1.151.1A	Washer		1
21	771.5.667.8B	Screw		2
22	712.1.034.1A	Bush		1
23	848.5.001.1A	Ball joint		1
24	747.5.001.1AB	Nut		1
25	886.4.116.1A	O-ring		2
26	821.1.170.1B	Pin		1
27	456.2.202.1AB	Gearchange lever		1

NOTES NO.	CODE NO.	DESCRIPTION	VALIDITY	Q.TY 
28	764.1.011.2A	Rubber pad		1
29	464.1.046.1A	Front foot peg (L.H.)		1
30	117.1.099.1A	Gearbox transmission rod		1
31	771.1.019.1A	Screw		1
32	824.1.181.1A	Rear foot peg holder plate (L.H.)		1
33	771.5.731.8B	Screw		1


CATALOGUE No: 915.1.319.1B
ISSUED: 02 - 11

CATALOGUE No: 915.1.319.1B
ISSUED: 02 - 11

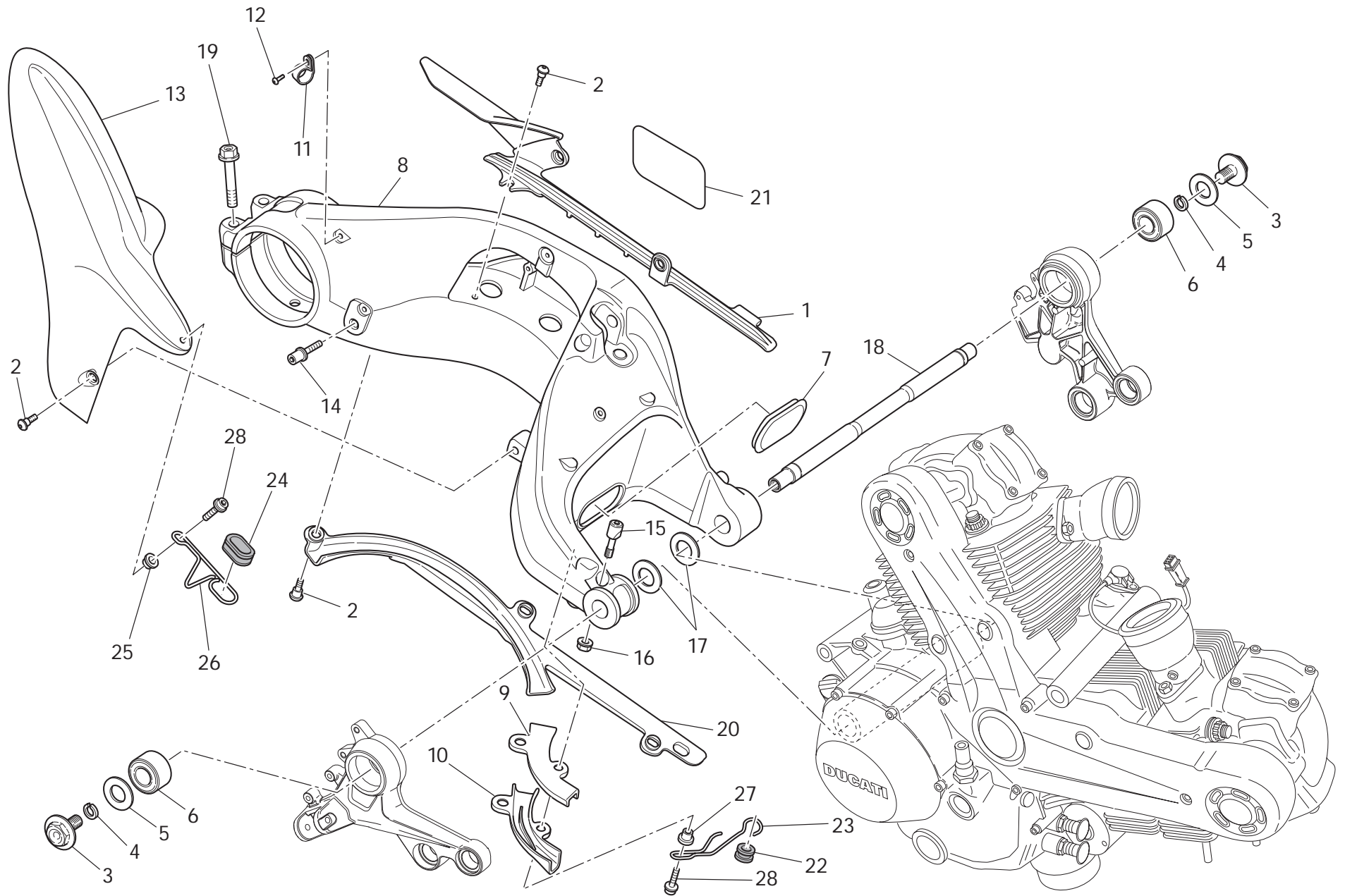
DRAWING 031a R.h. footrests



DRAWING **031a** R.h. footrests

NOTES NO.	CODE NO.	DESCRIPTION	VALIDITY	Q.TY 
1	700.1.049.1A	Vibration damper		2
2	465.1.060.1A	Rear foot peg (R.H.)		1
3	464.1.045.1A	Front foot peg (R.H.)		1
4	821.1.090.1B	Pin		2
5	884.5.003.1A	Circlip		2
6	799.1.499.1A	Spring		1
7	460.1.450.1A	Heel guard (R.H.)		1
8	772.1.062.3B	Screw		2
9	847.4.002.1A	Ball		1
10	827.1.161.1B	Plate		2
11	799.1.024.1A	Spring		1
12	824.1.180.1A	Rear foot peg holder plate (R.H.)		1
13	771.5.130.8B	Screw		2
14	824.1.178.1A	Foot peg holder plate (R.H.)		1
15	779.1.205.1AB	Special screw		2


NOTES NO.	CODE NO.	DESCRIPTION	VALIDITY	Q.TY 
-----------	----------	-------------	----------	--



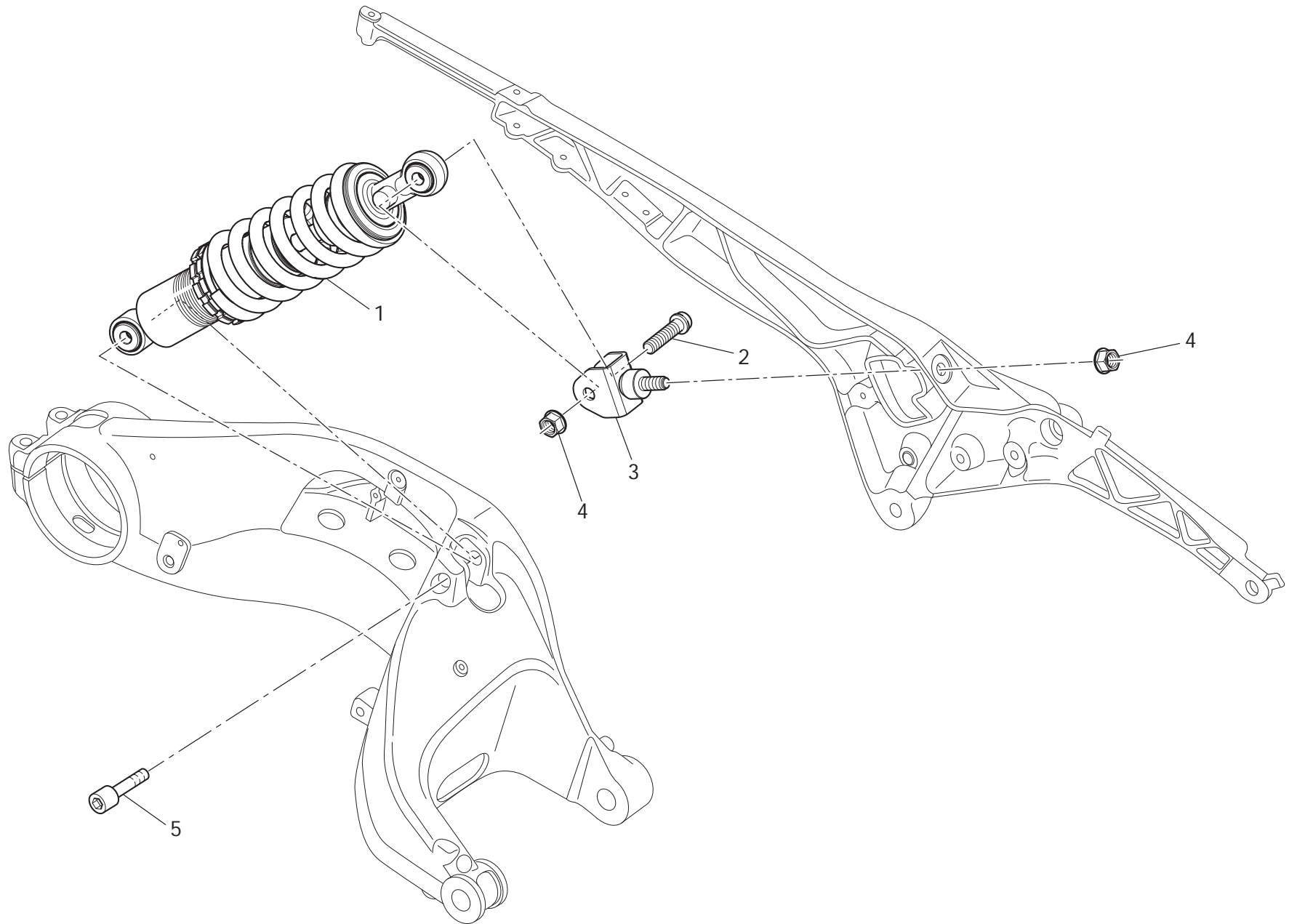
DRAWING **032** Swingarm

NOTES NO.	CODE NO.	DESCRIPTION	VALIDITY	Q.TY 
1	446.1.019.1A	Chain sliding shoe (upper)		1
2	772.1.085.2C	Screw		10
3	779.1.151.1A	Special screw		2
4	884.4.007.1A	Snap ring		2
5	852.1.157.1A	Washer		2
6	700.1.039.1A	Vibration damper		2
7	872.1.060.1A	Cap		1
8	370.1.091.1B	Swingarm		1
9	460.1.354.1A	Protection (bottom)		1
10	460.1.357.1A	Protection (upper)		1
11	758.4.016.1A	Fairlead		2
12	775.5.022.1A	Screw		2
13	565.1.043.1A	Rear mudguard		1
14	832.1.026.1B	Pin		1
15	808.1.046.1A	Clamp		1
16	748.4.034.1B	Nut		1
17	852.1.001.1B	Shim th. 1.8		2
17	852.1.002.1B	Shim th. 0.2		2
17	852.1.003.1B	Shim th. 0.1		2
18	369.1.008.1A	Swingarm pivot		1
19	772.1.004.2B	Screw		2
20	447.1.077.1A	Chain sliding shoe (bottom)		1
21	433.1.368.1A	Chain adjustment sticker		1
22	764.1.114.1A	Rubber pad		1
23	758.1.053.1A	Hose guide (ABS) (bottom)		1
24	758.1.054.1A	Seal		1
25	716.1.146.1AB	Spacer		1


CATALOGUE No: 915.1.319.1B
ISSUED: 02 - 11

NOTES NO.	CODE NO.	DESCRIPTION	VALIDITY	Q.TY 
26	758.1.052.1AA	Hose guide (ABS) (upper)		1
27	713.1.921.1A	Spacer		1
28	772.1.114.1A	Screw		2

CATALOGUE No: 915.1.319.1B
ISSUED: 02 - 11

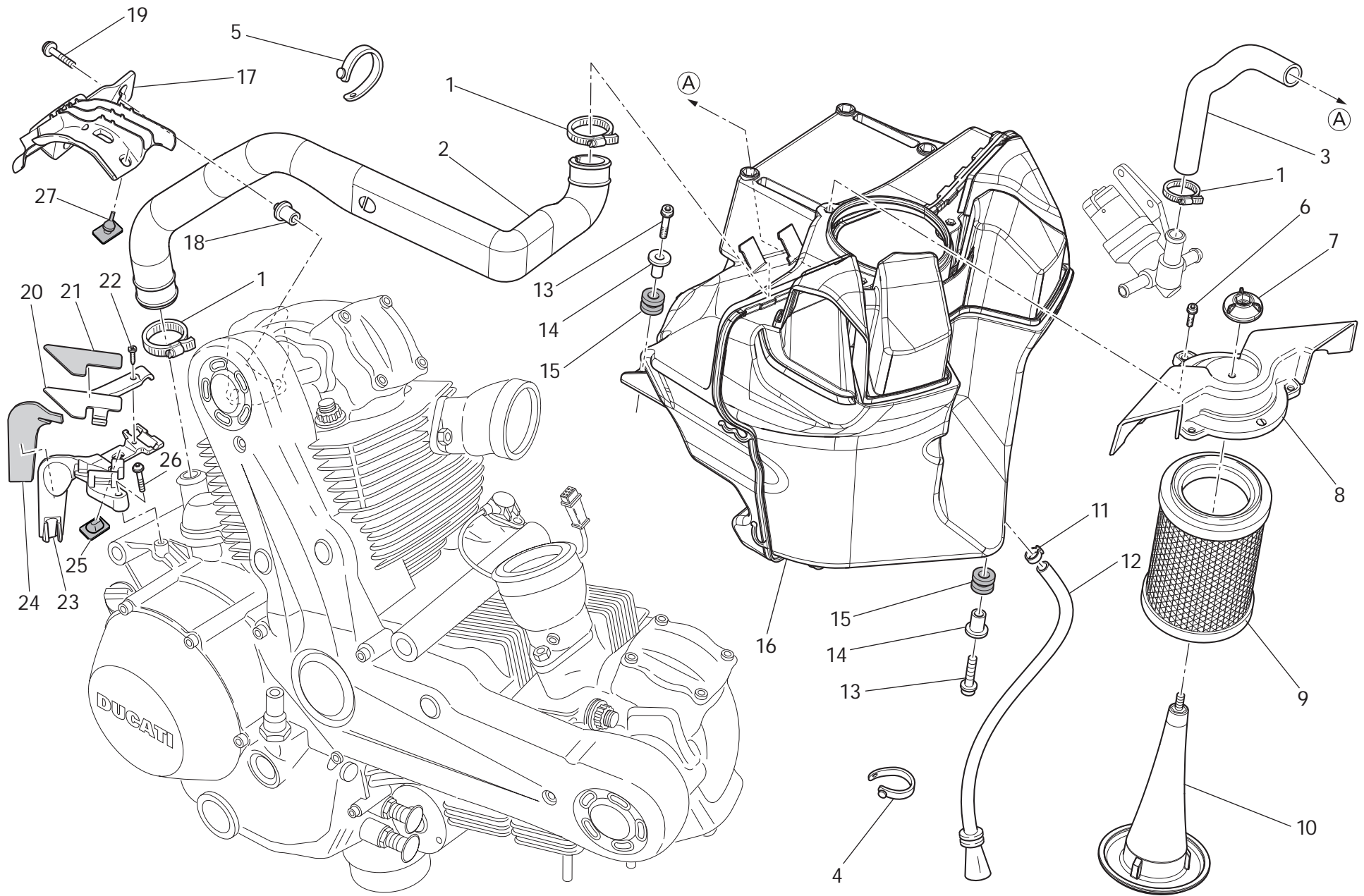


DRAWING **033** Rear suspension

NOTES NO.	CODE NO.	DESCRIPTION	VALIDITY	Q.TY 
1	365.2.080.2A	Shock absorber (rear)		1
2	771.5.935.8C	Screw		1
3	829.1.963.1A	Shock absorber adjuster holder		1
4	748.4.024.1AB	Nut		2
5	779.1.504.1A	Screw		1

NOTES NO.	CODE NO.	DESCRIPTION	VALIDITY	Q.TY 
-----------	----------	-------------	----------	--

DRAWING 034 Air intake - oil breather



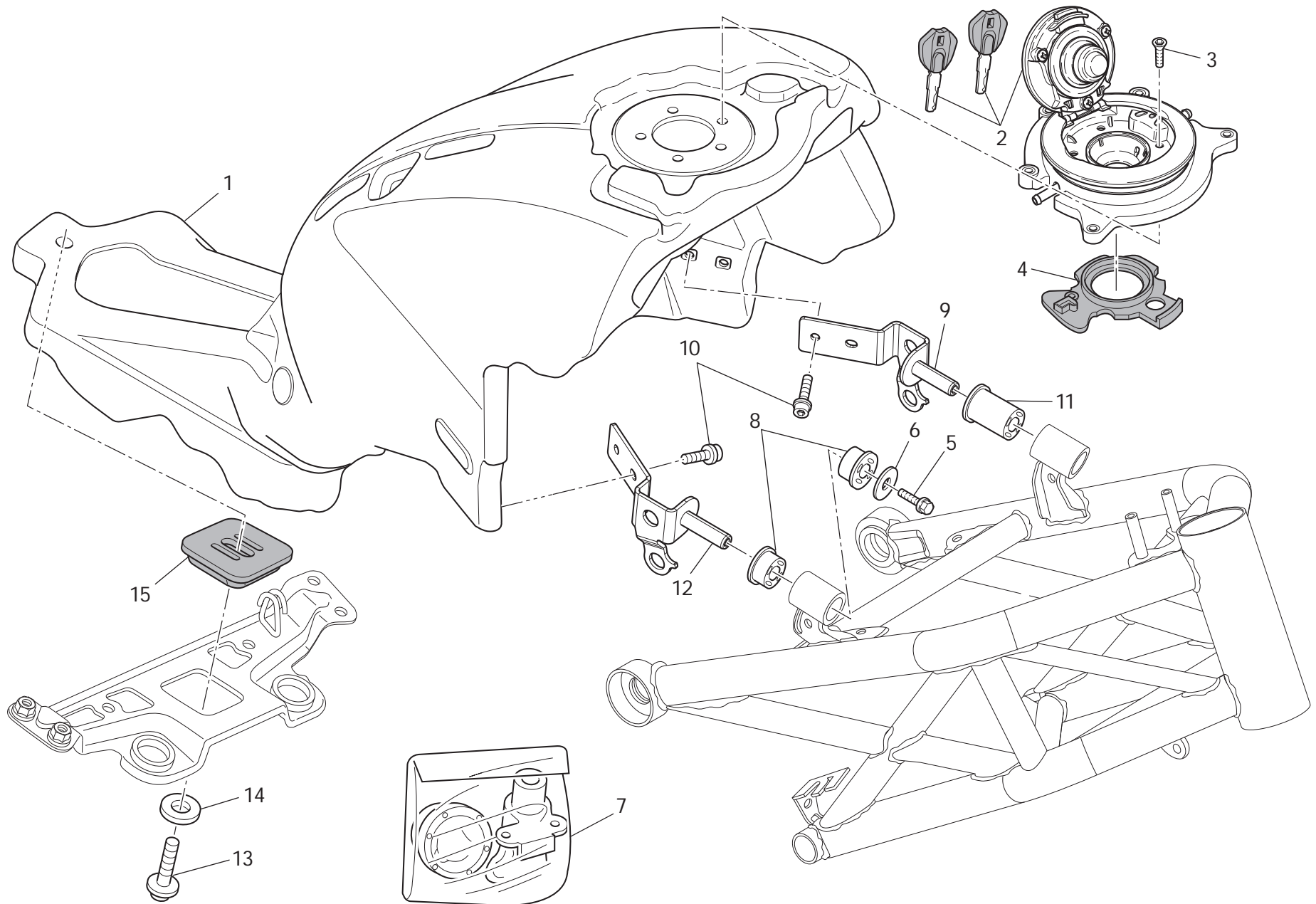
DRAWING **034** Air intake - oil breather

NOTES NO.	CODE NO.	DESCRIPTION	VALIDITY	Q.TY 
1	741.4.181.1A	Clamp		3
2	876.1.104.1B	Tube		1
3	590.1.343.1A	Tube		1
4	8000.53724	Hose guide		2
5	741.1.012.1A	Hose guide		2
6	773.5.038.8B	Screw		3
7	703.1.048.1A	Ring nut		1
8	246.1.202.2A	Filter case cover		1
9	426.1.025.1A	Filter element		1
10	829.1.961.1A	Holder		1
11	741.4.171.1A	Clamp		1
12	590.1.313.1A	Breather pipe		1
13	771.5.667.8B	Screw		2
14	716.1.022.1B	Spacer		2
15	764.1.090.1A	Rubber pad		2
16	442.1.164.1B	Air filter box		1
17	758.1.057.1B	Guide		1
18	716.1.420.1B	Spacer		2
19	772.4.048.3C	Screw		2
20	829.1.992.1A	Hose guide (ABS) (upper)		1
21	460.1.403.1A	Heat guard		1
22	774.4.011.1A	Screw		1
23	829.1.991.1A	Hose guide (ABS) (bottom)		1
24	460.1.402.1A	Heat guard		1
25	866.1.030.1A	Rubber pad		1
26	772.4.046.3C	Screw		1
27	866.1.036.1A	Rubber pad		1

NOTES NO.	CODE NO.	DESCRIPTION	VALIDITY	Q.TY 
-----------	----------	-------------	----------	--


CATALOGUE No: 915.1.319.1B
ISSUED: 02 - 11

CATALOGUE No: 915.1.319.1B
ISSUED: 02 - 11

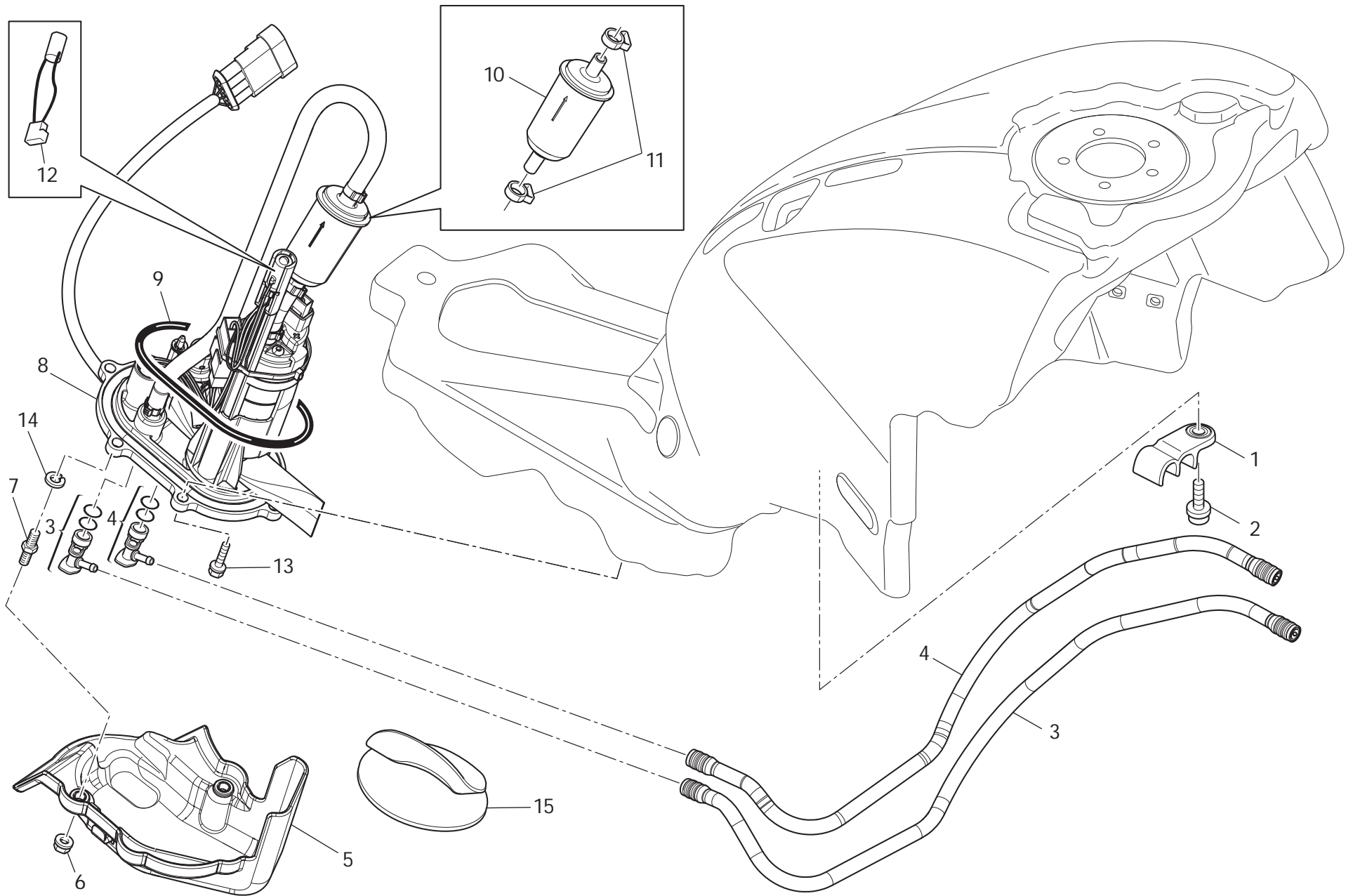


DRAWING **035**


Fuel tank

NOTES NO.	CODE NO.	DESCRIPTION	VALIDITY	Q.TY 
1	586.3.171.1D	Tank (unpainted)		1
2	895.2.021.1A	Tank cap		1
3	777.5.034.3B	Screw		5
4	866.4.007.1A	Gasket		1
5	772.5.097.8B	Screw		1
6	852.1.196.1B	Washer		1
7	598.2.078.1A	Locks kit		1
8	764.1.112.1A	Rubber pad		2
9	827.1.479.1A	Plate (L.H.)		1
10	771.1.369.1B	Screw		4
11	764.1.050.1A	Rubber pad		1
12	827.1.478.1A	Plate (R.H.)		1
13	779.1.543.2B	Special screw		1
14	852.1.065.1C	Washer		1
15	866.1.099.1A	Rubber pad		1

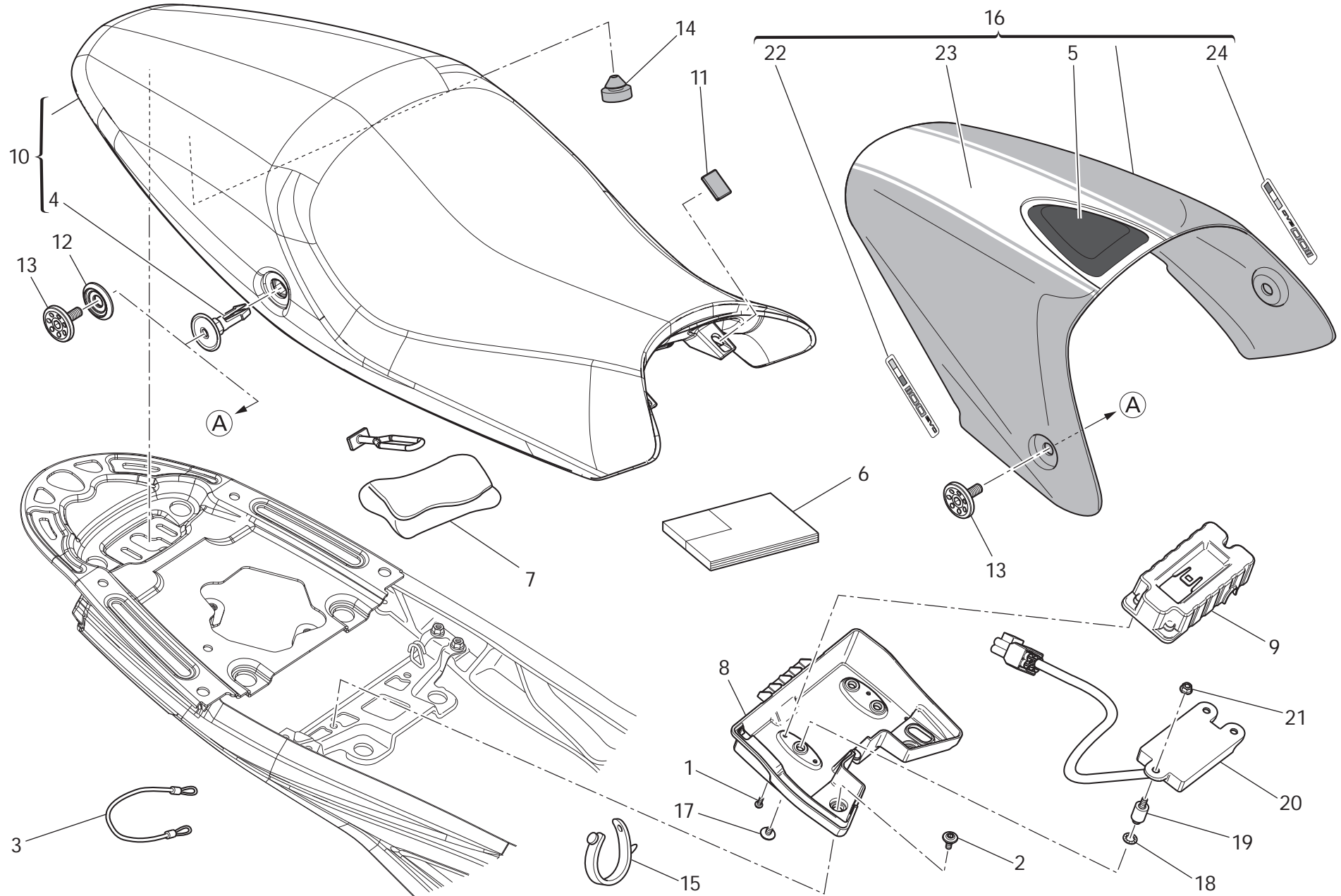
NOTES NO.	CODE NO.	DESCRIPTION	VALIDITY	Q.TY 
-----------	----------	-------------	----------	--



DRAWING **036** Fuel system


NOTES NO.	CODE NO.	DESCRIPTION	VALIDITY	Q.TY 
1	758.1.043.2A	Hose guide		2
2	771.5.639.8B	Screw		2
3	590.1.329.1A	Fuel delivery pipe		1
4	590.1.330.1A	Fuel return pipe		1
5	247.1.328.5A	Cover		1
6	749.4.110.8B	Nut		2
7	779.1.569.1A	Special screw		2
8	160.2.379.1B	Flange		1
9	886.5.048.1A	O-Ring		1
10	425.4.015.1A	Fuel filter		1
11	699.2.345.1A	Clamps kit		1
12	552.4.048.2A	Thermistor		1
13	772.1.062.1A	Screw		4
14	462.3.010.5A	Washer		2
15	460.1.368.1A	Thermal protection		1

NOTES NO.	CODE NO.	DESCRIPTION	VALIDITY	Q.TY 
-----------	----------	-------------	----------	--



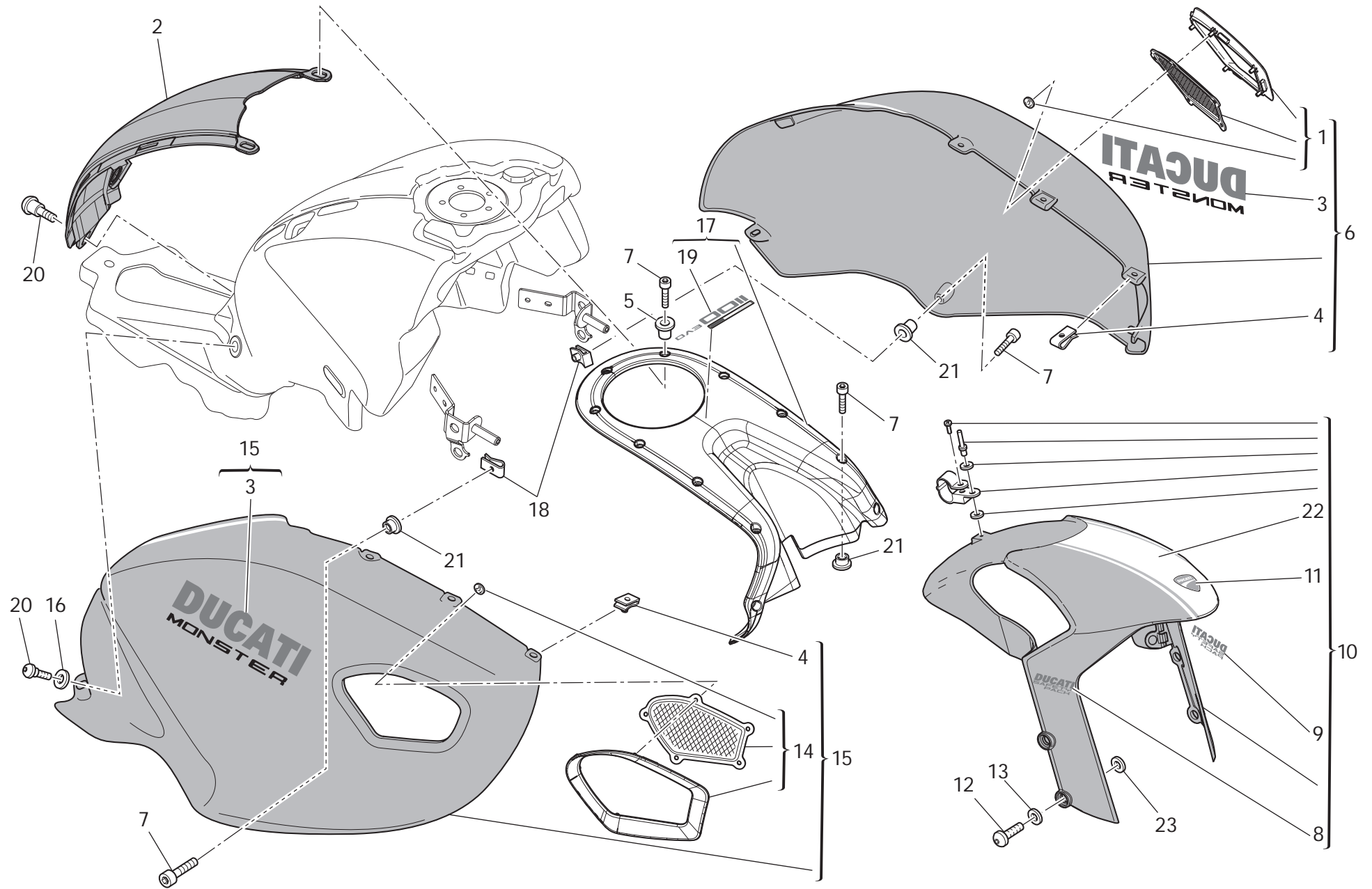
DRAWING **037** Seat

NOTES NO.	CODE NO.	DESCRIPTION	VALIDITY	Q.TY 
1	774.4.010.1A	Screw		3
2	772.1.085.3B	Special screw		2
3	732.1.007.1A	Helmet anti-theft wire		1
4	684.1.101.2A	Stud bolt		2
5	595.1.099.1A	Seat back		1
6	913.7.167.1F	Owner's manual		1
7	697.2.024.1A	Tool bag		1
8	559.1.008.1B	Chamber (DTC)		1
9	247.1.396.1A	Cover (DTC)		1
10	595.2.008.1B	Seat		1
11	866.1.030.1A	Rubber pad		6
12	713.1.442.1A	Spacer		2
13	779.1.566.1B	Special screw		2
14	764.1.063.1A	Rubber pad		2
15	741.1.010.1A	Hose guide		1
16	595.1.098.1AC	Cover seat (RED/WHITE STRIP)		1
16	595.1.098.1AX	Cover seat (BLACK/GREY STRIP)		1
17	772.1.104.1A	Screw		3
18	855.4.001.1A	Spring washer		3
19	700.1.060.1A	Vibration damper		3
20	286.1.117.2L	DTC unit		1
21	748.5.006.1A	Nut		3
22	437.1.211.1A	Decal "1100evo" (R.H.) (for RED, WHITE)		1
22	437.1.211.1B	Decal "1100evo" (R.H.) (for BLACK,GREY)		1
23	438.1.600.1A	Sticker (WHITE)		1
23	438.1.600.1B	Sticker (GREY)		1
24	437.1.212.1A	Decal "1100evo" (L.H.) (for RED, WHITE)		1

NOTES NO.	CODE NO.	DESCRIPTION	VALIDITY	Q.TY 
24	437.1.212.1B	Decal "1100evo" (L.H.) (for BLACK,GREY)		1


CATALOGUE No: 915.1.319.1B
ISSUED: 02 - 11

CATALOGUE No: 915.1.319.1B
ISSUED: 02 - 11



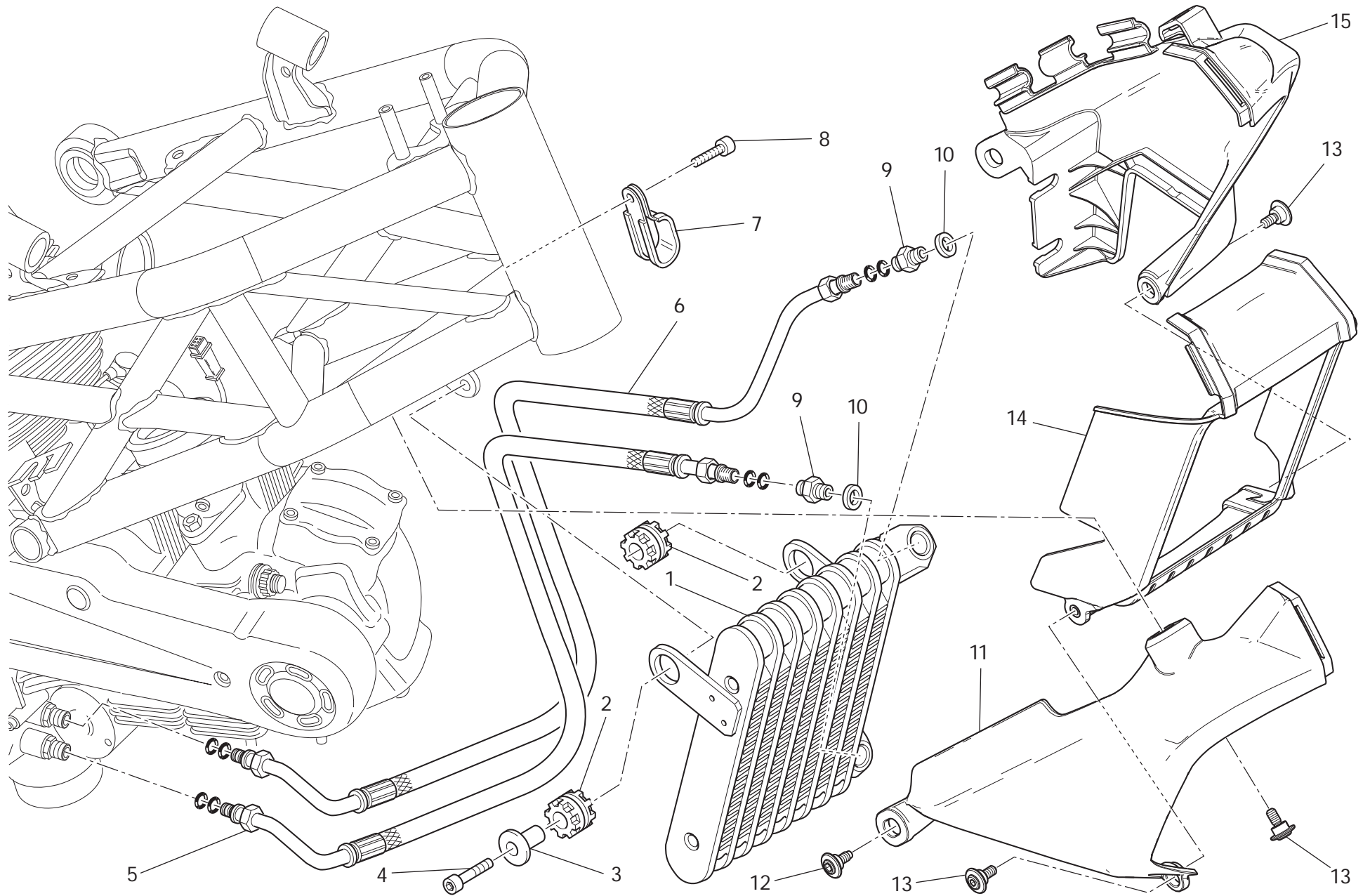
DRAWING **038** Fuel tank (cover)

NOTES NO.	CODE NO.	DESCRIPTION	VALIDITY	Q.TY 
1	484.2.074.1A	Air vent (L.H.)		1
2	480.1.264.1AS	Cap (rear) (GREY)		1
2	480.1.264.1AW	Cap (rear) (WHITE)		1
3	435.1.033.1AA	Sticker "DUCATI" (for BLACK,GREY)		2
3	435.1.033.1AW	Sticker "DUCATI" (for RED, WHITE)		2
4	850.4.047.1A	Nut with clip		6
5	716.1.149.1A	Spacer		4
6	480.1.259.1DR	Cap (L.H.) (RED/WHITE STRIP)		1
6	480.1.259.1DX	Cap (L.H.) (BLACK/GREY STRIP)		1
7	773.5.039.3B	Screw		13
8	437.1.309.1A	Decal "ducati safety pack" (R.H.)		1
9	437.1.310.1A	Decal "ducati safety pack" (L.H.)		1
10	564.2.084.2AC	Front mudguard (RED/WHITE STRIP)		1
10	564.2.084.2AX	Front mudguard (BLACK/GREY STRIP)		1
11	438.1.474.1A	Sticker "DUCATI"		1
12	772.1.126.1A	Screw		4
13	856.1.127.1A	Washer		4
14	484.2.073.1A	Air vent (R.H.)		1
15	480.1.259.1CR	Cap (R.H.) (RED/WHITE STRIP)		1
15	480.1.259.1CX	Cap (R.H.) (BLACK/GREY STRIP)		1
16	852.1.218.1A	Nylon washer		2
17	480.2.263.1G	Cap (front)		1
18	850.4.055.1A	Nut with clip		2
19	437.1.213.1A	Decal "1100evo"		1
20	772.1.085.3B	Special screw		5
21	716.1.408.1A	Spacer		8
22	438.1.602.1A	Sticker (WHITE)		1


NOTES NO.	CODE NO.	DESCRIPTION	VALIDITY	Q.TY 
22	438.1.602.1B	Sticker (GREY)		1
23	852.1.176.1A	Washer		2

CATALOGUE No: 915.1.319.1B
ISSUED: 02 - 11

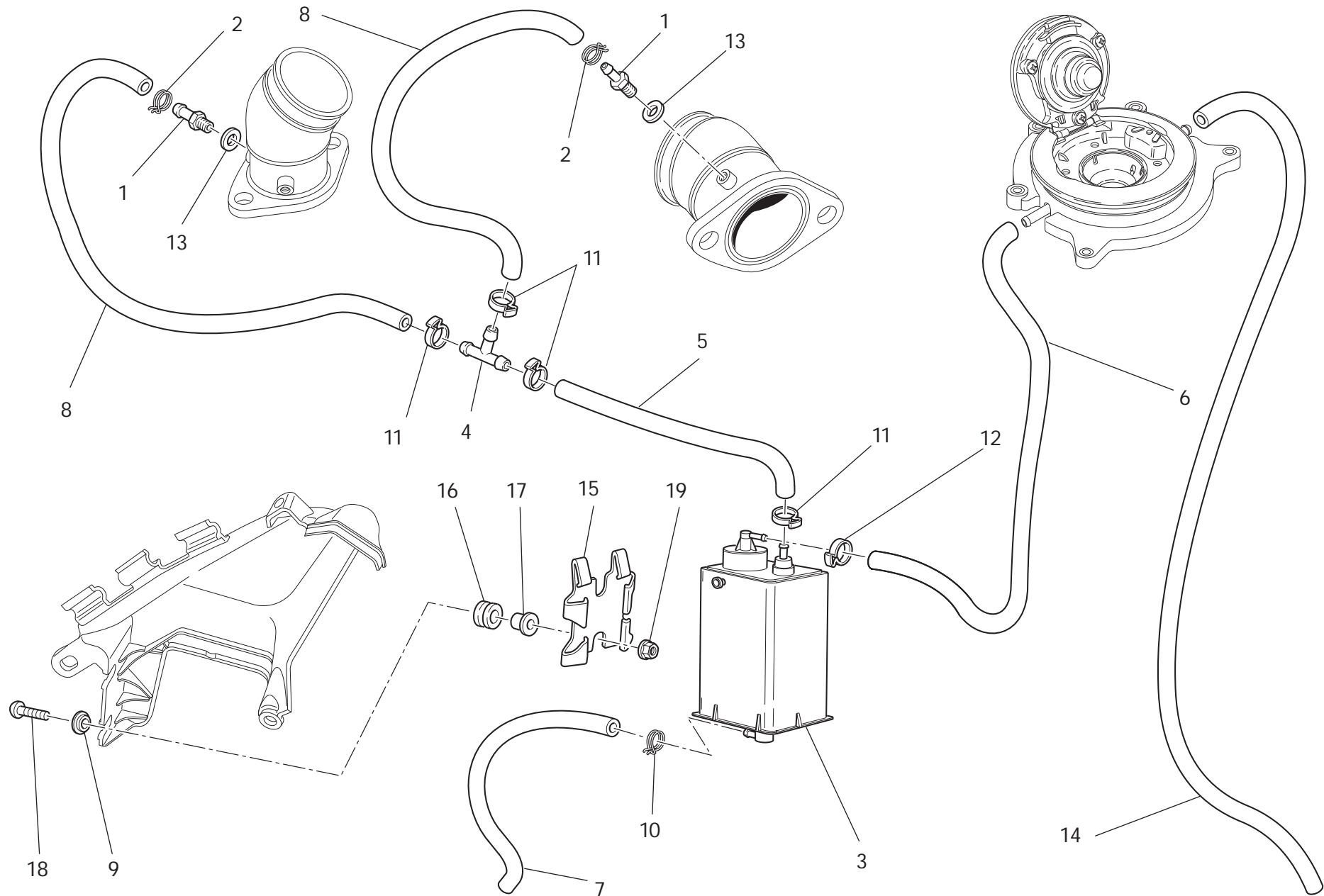
CATALOGUE No: 915.1.319.1B
ISSUED: 02 - 11




DRAWING **039** Oil cooler

NOTES NO.	CODE NO.	DESCRIPTION	VALIDITY	Q.TY 
1	548.4.079.1A	Oil cooler		1
2	764.1.022.1A	Vibration damper pad		2
3	716.1.409.1A	Spacer		1
4	771.5.669.8B	Screw		1
5	549.1.086.1A	Oil delivery pipe		1
6	549.1.087.1A	Oil return pipe		1
7	741.4.175.1A	Hose guide		1
8	771.5.063.8B	Screw		1
9	815.1.022.1A	Nipple		2
10	787.1.011.1A	Aluminium gasket th.2		2
11	484.1.068.1A	Air deflector (R.H.)		1
12	772.1.113.1A	Screw		2
13	772.1.085.3B	Special screw		4
14	484.1.070.1A	Manifold (centre)		1
15	484.1.071.1A	Air deflector (L.H.)		1

NOTES NO.	CODE NO.	DESCRIPTION	VALIDITY	Q.TY 
-----------	----------	-------------	----------	--



DRAWING **040** Evaporative emissions canister

NOTES NO.	CODE NO.	DESCRIPTION	VALIDITY	Q.TY 
1	814.1.111.3B	Union		2
2	741.4.043.1A	Hose guide		2
3	426.1.007.1B	Canister filter		1
4	814.1.183.1A	Union "T"		1
5	590.1.338.1A	Tube 4x10x200		1
6	590.1.336.1B	Breather pipe		1
7	590.1.245.1A	Tube 7x13x335		1
8	590.1.339.1A	Tube 4x10x230		2
9	716.1.401.1B	Spacer		2
10	741.4.057.1A	Hose guide		1
11	741.4.058.1A	Clamp		4
12	741.4.063.1A	Hose guide		1
13	852.5.023.1A	Gasket		2
14	590.1.337.1A	Tube 5.5x9.5x950		1
15	827.1.157.1A	Plate		1
16	764.1.029.1A	Rubber pad		2
17	716.1.043.1C	Spacer		2
18	772.1.103.1A	Screw		2
19	747.5.010.1A	Nut		2

NOTES NO.	CODE NO.	DESCRIPTION	VALIDITY	Q.TY 
-----------	----------	-------------	----------	--

CATALOGUE No: 915.1.319.1B
ISSUED: 02 - 11

CATALOGUE No: 915.1.319.1B
ISSUED: 02 - 11

CAUTION
NEVER FILL TANK SO FUEL LEVEL RISES INTO FILLER NECK. IF TANK IS OVERFILLED, HEAT MAY CAUSE FUEL TO EXPAND AND FLOW INTO EVAPORATIVE EMISSION CONTROL SYSTEM RESULTING IN HARD STARTING AND ENGINE HESITATION. Cod.43311641A

3

OBJECTS IN MIRROR ARE CLOSER THAN THEY APPEAR

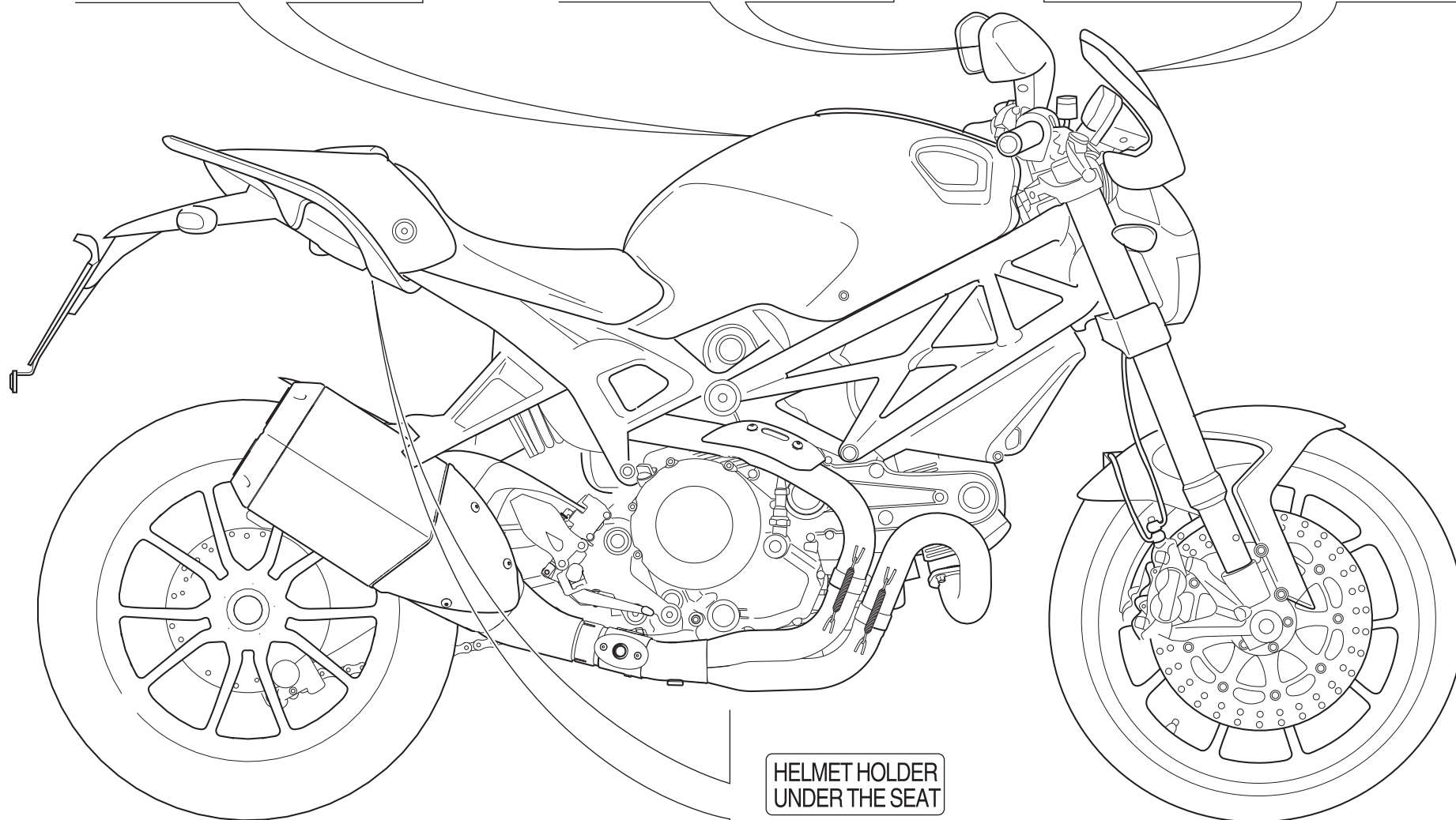
Cod.43311661A

2

WARNING

DO NOT ATTEMPT TO LOOK THROUGH THIS FAIRING. THIS IS NOT A WINDSHIELD, BUT AN AERODYNAMIC FAIRING ONLY; FAILURE TO OBSERVE THIS WARNING COULD RESULT IN A COLLISION OR UPSET AND CONSEQUENT SERIOUS BODILY INJURY. Cod. 433 1 165 1A


4



HELMET HOLDER UNDER THE SEAT

1

DRAWING **041** Data plate positions

NOTES NO.	CODE NO.	DESCRIPTION	VALIDITY	Q.TY 
1	433.1.170.1A	Sticker		1
2	433.1.166.1A	Label		2
3	433.1.164.1A	Sticker		1
4	433.1.165.1A	Sticker		1

NOTES NO.	CODE NO.	DESCRIPTION	VALIDITY	Q.TY 
-----------	----------	-------------	----------	--

Index

CODE No.	Drwg.	POS. N.	CODE No.	Drwg.	POS. N.	CODE No.	Drwg.	POS. N.	CODE No.	Drwg.	POS. N.	CODE No.	Drwg.	POS. N.
.....	014	1	0765.92.205	002	21	171.2.233.1A	008	10	198.2.039.1A	004	14	247.1.390.1A	023	26
.....	014	2	0799.13.110	002	27	172.1.002.1B	003	10	208.Z.001.1A	014	14	247.1.396.1A	037	9
.....	015	1	112.1.012.1AB	006	8	172.1.003.3A	003	8	208.Z.001.1A	015	14	254.4.001.2A	005	4
.....	015	2	112.1.012.1AC	006	8	172.1.004.3A	003	5	209.Z.001.1A	014	16	255.1.023.3A	008	15
0250.70.223	016	12	117.1.067.1B	029	19	172.1.005.3A	003	9	209.Z.001.1A	015	18	255.1.024.3A	013	3
0251.47.054	003	1	117.1.099.1A	031	30	172.1.008.1A	003	22	210.1.076.1A	014	22	264.2.015.1A	011	1
0272.91.090	002	8	117.2.119.1A	004	16	172.1.009.1A	003	21	210.1.076.1A	015	6	270.4.012.5A	012	1
0370.72.020	027	8	120.2.164.2A	007	8	172.1.010.3A	003	20	211.1.076.1A	014	21	276.1.044.1A	012	16
0370.72.020	028	12	120.2.165.2A	007	4	172.1.011.3A	003	23	211.1.076.1A	015	7	280.4.023.1A	016	10
0370.84.005	020	1	121.1.211.1A	007	3	172.1.218.2A	003	18	225.2.218.1B	010	1	282.4.083.3A	016	1
0400.09.050	002	21	121.2.045.1A	007	1	172.1.219.2A	003	24	235.2.040.2AC	013	12	283.4.020.1A	016	18
0400.29.125	002	17	122.2.165.2A	007	9	173.Z.002.1A	012	20	240.2.039.2A	014	10	284.4.008.1A	016	2
0400.29.126	002	17	140.2.068.2A	016	11	174.Z.002.1A	009	1	240.2.039.2A	015	12	286.1.117.2L	037	20
0647.70.010	014	12	146.2.169.1A	006	1	176.Z.002.1A	012	10	242.2.081.1CE	011	19	286.2.040.1A	018	14
0647.70.010	015	20	147.Z.001.1A	008	9	180.1.008.1A	002	24	243.2.118.1CC	005	1	286.4.215.1C	019	21
0660.13.070	002	13	148.1.360.1B	013	16	180.Z.003.1A	002	11	245.1.081.2A	013	5	287.4.024.1B	016	8
0660.13.143	002	9	148.1.361.1B	013	9	180.Z.004.1A	002	12	245.1.082.2A	013	6	301.2.275.1CA	015	17
0660.13.165	002	25	149.1.061.1A	003	25	182.Z.001.1A	002	18	245.1.101.1A	008	4	301.2.276.1CA	014	17
0665.49.680	005	8	149.1.097.1A	003	2	184.1.005.1A	029	15	245.1.102.1A	008	1	303.1.068.1AA	014	4
0670.16.145	003	7	150.2.063.2A	003	28	187.1.002.1A	027	3	246.1.202.2A	034	8	303.1.068.1AA	015	3
0670.16.150	003	3	150.2.169.1A	003	27	187.1.002.1A	028	22	247.1.322.1A	022	13	303.1.068.1AB	014	4
0670.16.155	003	19	158.2.012.2A	006	5	190.1.042.1A	004	11	247.1.323.1A	021	2	303.1.068.1AB	015	3
0670.16.170	003	26	160.1.105.1A	013	19	190.2.023.2A	004	9	247.1.328.5A	036	5	303.1.068.1AC	014	4
0670.49.310	009	17	160.1.421.1A	025a	5	194.1.051.1A	004	4	247.1.331.1A	025a	21	303.1.068.1AC	015	3
0691.91.030	018	10	160.2.379.1B	036	8	195.4.003.1C	004	19	247.1.341.1A	022	24	304.1.042.1B	014	19
0755.49.265	010	2	160.Z.001.1A	012	13	196.1.053.1A	004	12	247.1.363.1A	026	33	304.1.042.1B	015	5
0759.49.280	009	15	170.2.081.1A	006	14	196.1.054.1A	004	20	247.1.380.1B	023	1	304.1.042.1BB	014	19

Index

CODE No.	Drwg.	POS. N.	CODE No.	Drwg.	POS. N.	CODE No.	Drwg.	POS. N.	CODE No.	Drwg.	POS. N.	CODE No.	Drwg.	POS. N.
304.1.042.1BB	015	5	349.1.349.1A	024	8	395.2.013.1C	019	11	442.1.164.1B	034	16	463.2.022.2A	010	34
304.1.042.1BC	014	19	349.1.350.1A	024	25	397.4.003.1B	019	15	444.4.017.1A	009	20	463.2.053.7A	003	14
304.1.042.1BC	015	5	349.1.351.1A	024	26	406.1.086.1A	021	3	446.1.019.1A	032	1	464.1.045.1A	031a	3
304.1.043.1B	014	3	349.2.067.1A	024	18	420.2.000.8A	029	28	447.1.077.1A	032	20	464.1.046.1A	031	29
304.1.043.1B	015	4	349.2.092.1A	024	4	425.4.015.1A	036	10	449.1.053.1A	003	12	465.1.060.1A	031a	2
304.1.043.1BB	014	3	349.2.093.1A	024	11	426.1.007.1B	040	3	451.2.020.1A	008	7	465.1.061.1A	031	2
304.1.043.1BB	015	4	349.2.094.1A	024	16	426.1.025.1A	034	9	451.2.021.1A	008	6	470.2.196.5AA	030	1
304.1.043.1BC	014	3	349.2.095.1A	024	15	433.1.164.1A	041	3	455.2.003.1A	002	4	470.2.196.5AK	030	1
304.1.043.1BC	015	4	349.2.096.1A	024	3	433.1.165.1A	041	4	456.1.046.1B	031	15	471.1.012.2C	030	10
341.2.068.1A	026	23	360.1.089.1A	026	24	433.1.166.1A	041	2	456.2.202.1AB	031	27	471.1.013.2C	030	7
342.2.054.2A	026	3	360.1.095.4A	026	16	433.1.170.1A	041	1	457.2.052.1AA	029	9	480.1.259.1CR	038	15
344.2.035.1B	024	1	360.1.127.1A	026	31	433.1.368.1A	032	21	460.1.275.1AB	020	26	480.1.259.1CX	038	15
345.2.035.1B	024	2	365.2.080.2A	033	1	435.1.033.1AA	038	3	460.1.293.1B	020	34	480.1.259.1DR	038	6
349.1.001.1A	024	13	369.1.008.1A	032	18	435.1.033.1AW	038	3	460.1.324.2B	020	13	480.1.259.1DX	038	6
349.1.144.1A	024	7	370.1.091.1B	032	8	437.1.211.1A	037	22	460.1.338.1A	016	6	480.1.264.1AS	038	2
349.1.146.1A	024	9	380.1.015.1A	019	3	437.1.211.1B	037	22	460.1.354.1A	032	9	480.1.264.1AW	038	2
349.1.147.1A	024	20	389.4.019.1A	018	5	437.1.212.1A	037	24	460.1.357.1A	032	10	480.2.263.1G	038	17
349.1.150.1A	024	17	389.4.020.1A	018	5	437.1.212.1B	037	24	460.1.368.1A	036	15	481.1.026.1AA	021	10
349.1.151.1A	024	22	389.4.021.1A	018	5	437.1.213.1A	038	19	460.1.402.1A	034	24	481.1.026.1AT	021	10
349.1.152.1A	024	23	389.4.022.1A	018	5	437.1.309.1A	038	8	460.1.403.1A	034	21	484.1.068.1A	039	11
349.1.249.1A	024	12	389.4.023.1A	018	5	437.1.310.1A	038	9	460.1.443.1B	020	12	484.1.070.1A	039	14
349.1.250.1A	024	21	389.4.024.1A	018	5	438.1.472.1A	025	18	460.1.446.1AA	020	47	484.1.071.1A	039	15
349.1.315.1A	024	19	390.4.011.1A	022	11	438.1.474.1A	038	11	460.1.449.1A	031	7	484.2.073.1A	038	14
349.1.317.1A	024	24	390.4.019.1A	022	10	438.1.600.1A	037	23	460.1.450.1A	031a	7	484.2.074.1A	038	1
349.1.328.1A	024	5	390.4.021.1A	022	15	438.1.600.1B	037	23	462.1.002.1A	026	22	486.1.072.1A	005	18
349.1.347.1A	024	10	390.4.021.1A	023	16	438.1.602.1A	038	22	462.3.010.5A	036	14	487.1.026.1B	021	13
349.1.348.1A	024	6	390.4.028.1A	022	9	438.1.602.1B	038	22	462.4.046.1A	020	27	492.1.005.1A	025a	19

Index

CODE No.	Drwg.	POS. N.	CODE No.	Drwg.	POS. N.	CODE No.	Drwg.	POS. N.	CODE No.	Drwg.	POS. N.	CODE No.	Drwg.	POS. N.
492.4.101.1A	025	5	529.1.001.2A	024	27	552.4.132.1B	010	43	590.1.330.1A	036	4	612.4.016.1A	029	30
494.2.138.1A	025a	10	529.1.010.1A	023	11	552.4.144.1A	016	21	590.1.336.1B	040	6	612.4.017.1A	028	30
497.2.001.2A	025	3	530.1.022.4A	022	14	552.4.145.2A	007	13	590.1.337.1A	040	14	612.4.039.1A	027	21
497.2.003.1A	025	16	530.1.022.4A	023	4	556.1.053.1A	017	3	590.1.338.1A	040	5	612.4.039.1A	028	34
501.2.127.1AT	025	10	530.1.023.4A	022	20	556.2.034.1C	017	1	590.1.339.1A	040	8	613.4.020.1A	028	8
502.1.145.1AT	025	7	530.1.023.4A	023	5	559.1.008.1B	037	8	590.1.341.1A	016	13	613.4.038.1A	029	32
504.1.005.1A	025	12	539.1.021.1B	002	6	561.1.049.1B	023	3	590.1.343.1A	034	3	618.4.087.2A	028	20
504.1.007.1A	025a	27	539.1.023.4B	017	5	561.1.051.1B	023	6	593.1.060.1B	010	53	618.4.094.2A	028a	8
510.1.658.1A	002	16	539.4.003.1C	029	13	564.2.084.2AC	038	10	593.1.062.1B	010	48	618.4.110.2A	028a	7
510.1.756.1A	018	6	539.4.030.2A	005	6	564.2.084.2AX	038	10	593.2.062.1B	010	33	619.4.046.2B	028a	10
510.1.757.1A	018	11	539.4.035.1A	028	5	565.1.043.1A	032	13	593.4.039.2A	020	37	619.4.052.2A	028a	9
513.1.022.1A	019	10	539.4.066.1A	027	25	570.1.291.1B	020	3	595.1.098.1AC	037	16	624.4.055.1A	028	1
514.1.032.1A	001c	9	540.4.011.1C	018	7	571.1.285.1A	020	4	595.1.098.1AX	037	16	625.4.004.1A	029	17
514.1.033.1A	001c	13	541.4.010.1A	018	15	571.1.286.1B	020	5	595.1.099.1A	037	5	626.4.056.1A	027	18
514.1.035.1A	001c	10	542.4.023.1A	028a	6	572.1.160.1C	020	8	595.2.008.1B	037	10	626.4.056.1A	028	7
514.1.036.1A	001c	10	548.4.079.1A	039	1	573.1.121.1C	020	7	598.1.012.1A	023	21	626.4.064.1A	027	19
514.1.037.1A	001c	6	549.1.086.1A	039	5	576.1.067.1A	020	46	598.2.061.1A	023	8	626.4.065.1A	028	24
514.1.038.1A	001c	14	549.1.087.1A	039	6	576.1.073.1A	020	21	598.2.078.1A	035	7	630.4.057.1A	027	1
514.1.058.1A	019	16	552.1.037.1A	001c	4	585.4.001.1A	029	23	598.4.028.1A	026	39	631.4.008.1A	027	26
514.1.064.1A	019	13	552.1.038.1A	001c	5	585.4.008.1A	027	12	598.4.029.1A	026	18	631.4.008.1A	028	6
516.4.004.2B	018	4	552.1.039.1A	001c	19	585.4.009.1A	028	15	610.4.096.1A	028	9	631.4.016.1A	029	3
518.4.005.1B	026	37	552.1.040.1A	001c	11	586.3.171.1D	035	1	610.4.097.1A	028	26	631.4.019.1A	028	2
520.1.017.2B	022	21	552.1.149.1A	020	2	590.1.189.1A	001c	1	611.4.020.1A	029	20	631.4.028.1A	027	22
523.4.022.2A	026	8	552.1.212.1B	028a	2	590.1.190.1A	001c	2	612.4.005.1A	027	4	631.4.028.1A	028	19
523.4.023.2A	026	9	552.1.219.1A	020	45	590.1.245.1A	040	7	612.4.005.1A	028	21	631.4.046.1A	027	2
525.1.034.2A	023	2	552.4.012.1A	016	7	590.1.313.1A	034	12	612.4.008.1A	029	31	632.1.060.2A	027	6
525.1.043.2B	023	30	552.4.048.2A	036	12	590.1.329.1A	036	3	612.4.014.1A	028	31	650.1.007.1C	026	25

Index

CODE No.	Drwg.	POS. N.	CODE No.	Drwg.	POS. N.	CODE No.	Drwg.	POS. N.	CODE No.	Drwg.	POS. N.	CODE No.	Drwg.	POS. N.
651.1.010.1A	026	14	700.1.040.1A	014	20	703.5.006.2A	013	1	713.1.907.1A	008	22	73503.3380	010	18
652.4.014.1C	026	30	700.1.040.1A	015	19	711.1.067.1A	025a	23	713.1.915.1A	002	29	73503.3380	011	2
654.2.003.2A	026	20	700.1.048.1B	022	1	711.1.095.1A	010	32	713.1.920.1A	028a	3	7374.021.1A	008	19
656.1.096.1A	026	26	700.1.049.1A	031	1	711.1.126.1A	007	11	713.1.921.1A	032	27	741.1.010.1A	037	15
658.4.002.1B	026	29	700.1.049.1A	031a	1	711.1.128.1A	010	39	713.1.926.1A	004	22	741.1.012.1A	034	5
669.1.001.1E	014	18	700.1.054.1A	026	10	711.1.160.1A	005	13	714.1.027.1A	025	15	741.1.013.1A	020	39
669.1.001.1E	015	15	700.1.060.1A	037	19	711.1.160.1A	011	18	714.1.041.1A	025a	12	741.4.038.1A	018	12
670.4.035.1A	019	5	700.1.064.1A	007	12	711.1.264.1A	019	1	714.1.094.1A	025	9	741.4.043.1A	027	14
671.1.028.2B	019	9	700.1.069.1A	023	32	711.1.301.1B	007	7	716.1.022.1B	019	19	741.4.043.1A	028	16
671.1.031.2B	019	4	700.9.055.1A	025a	9	711.1.339.1B	010	21	716.1.022.1B	034	14	741.4.043.1A	029	4
672.1.023.1A	019	23	701.4.005.1A	003	4	712.1.018.1A	025a	7	716.1.043.1C	040	17	741.4.043.1A	040	2
672.1.024.1A	019	26	701.4.035.1A	012	7	712.1.034.1A	029	14	716.1.073.2A	008	13	741.4.057.1A	040	10
676.2.072.1A	025a	1	702.4.013.1A	010	12	712.1.034.1A	031	22	716.1.099.1A	008	17	741.4.058.1A	040	11
676.4.073.1A	025a	8	702.4.018.1A	012	19	713.1.014.1E	003	11	716.1.107.1A	020	25	741.4.063.1A	040	12
677.4.014.1A	025a	26	702.4.033.1A	010	9	713.1.082.1A	020	17	716.1.146.1AB	032	25	741.4.067.1A	016	17
680.1.013.1A	006	10	702.4.092.1A	010	29	713.1.140.1A	010	14	716.1.149.1A	038	5	741.4.137.1A	020	16
680.1.013.1A	008	5	702.4.093.1A	010	25	713.1.197.3A	025	2	716.1.152.1A	019	14	741.4.168.1A	020	22
680.1.013.1A	013	8	702.4.123.1A	026	6	713.1.266.1A	003	15	716.1.401.1B	040	9	741.4.171.1A	034	11
684.1.101.2A	037	4	702.5.008.1A	010	20	713.1.309.1A	004	13	716.1.406.1A	022	25	741.4.175.1A	039	7
697.2.024.1A	037	7	702.5.008.1A	011	3	713.1.393.1A	003	30	716.1.408.1A	038	21	741.4.180.1A	016	3
698.1.033.1A	001c	15	702.5.019.1A	010	42	713.1.421.1A	022	28	716.1.409.1A	039	3	741.4.181.1A	034	1
699.2.345.1A	036	11	702.5.060.1A	004	21	713.1.436.1A	020	23	716.1.420.1B	034	18	74224.0570	006	7
699.2.453.1A	011	9	702.5.062.1A	025	8	713.1.437.1A	022	27	72094.1616	010	10	7475.001.1AB	031	24
699.2.610.1A	030	20	703.1.013.1A	026	12	713.1.442.1A	037	12	732.1.007.1A	037	3	7475.003.1A	029	10
700.1.031.1A	020	38	703.1.048.1A	034	7	713.1.470.2A	023	22	732.1.030.1C	020	44	7475.005.1B	029	25
700.1.036.1A	012	15	703.1.049.1A	030	5	713.1.483.1A	004	15	73500.1440	012	11	7475.005.1B	031	14
700.1.039.1A	032	6	703.5.006.2A	008	18	713.1.490.1A	028a	3	73500.1542	002	15	7475.007.1A	026	1

Index

CODE No.	Drwg.	POS. N.	CODE No.	Drwg.	POS. N.	CODE No.	Drwg.	POS. N.	CODE No.	Drwg.	POS. N.	CODE No.	Drwg.	POS. N.
7475.010.1A	040	19	750.1.160.1A	008	12	764.1.011.2A	031	28	771.1.049.1A	008	3	7715.069.8B	009	10
748.1.014.1C	025	1	750.5.001.1B	020	42	764.1.022.1A	023	18	771.1.049.1A	013	10	7715.071.8B	011	17
748.1.039.1A	016	15	750.5.001.1B	022	3	764.1.022.1A	039	2	771.1.051.8B	012	6	7715.072.8B	010	31
748.1.040.1A	002	23	750.5.005.1A	012	3	764.1.029.1A	040	16	771.1.052.1A	008	2	7715.078.8B	012	12
748.1.040.1A	030	11	750.5.005.1A	019	25	764.1.050.1A	035	11	771.1.052.1A	012	14	7715.080.8B	010	27
748.1.050.1A	010	8	756.2.006.2A	025a	13	764.1.063.1A	037	14	771.1.235.1A	022	23	7715.081.8B	005	3
748.4.002.1A	030	3	75794.1542	010	17	764.1.064.1A	022	5	771.1.369.1B	035	10	7715.083.8B	005	2
748.4.024.1AB	025a	4	758.1.043.2A	036	1	764.1.064.1B	020	14	771.1.373.1A	026	17	7715.125.OZ	002	30
748.4.024.1AB	026	11	758.1.045.1A	002	31	764.1.087.1A	014	6	771.1.374.1A	026	19	7715.129.8B	009	8
748.4.024.1AB	033	4	758.1.046.1A	022	7	764.1.087.1A	015	21	771.1.376.1A	008	21	7715.130.8B	031	13
748.4.033.1A	020	9	758.1.047.1C	011	12	764.1.090.1A	019	18	771.1.386.1A	012	5	7715.130.8B	031a	13
748.4.034.1B	032	16	758.1.048.1A	008	20	764.1.090.1A	034	15	771.1.386.1A	013	21	7715.136.8B	010	24
748.5.006.1A	037	21	758.1.052.1AA	032	26	764.1.112.1A	035	8	771.4.067.7C	011	13	7715.139.8B	010	30
749.1.002.1A	026	32	758.1.053.1A	032	23	764.1.114.1A	032	22	771.4.069.7C	011	6	7715.637.8B	023	29
749.4.004.1A	021	6	758.1.054.1A	032	24	76400.0004	010	3	771.4.071.7C	011	22	7715.639.8B	036	2
749.4.110.8B	036	6	758.1.057.1B	034	17	76402.0002	003	17	7715.006.8B	010	47	7715.641.8B	023	7
749.5.004.1A	031	17	758.4.016.1A	032	11	766.1.077.2B	010	6	7715.038.8B	011	16	7715.651.8B	022	19
750.1.007.1A	003	29	758.4.020.1A	011	8	766.4.017.2A	013	17	7715.040.8B	011	21	7715.662.8B	023	10
750.1.007.1A	004	7	758.4.020.1A	030	19	766.4.018.1A	013	18	7715.042.8B	019	8	7715.663.8B	018	3
750.1.012.2A	006	3	758.4.060.1A	028a	19	76835.1134	002	10	7715.048.8B	019	2	7715.664.8B	023	27
750.1.028.1A	021	11	758.4.061.1A	028a	21	770.5.250.8B	010	15	7715.063.8B	039	8	7715.665.8B	021	4
750.1.048.1A	017	10	759.1.008.1A	025a	20	771.1.019.1A	031	31	7715.065.8B	004	6	7715.665.8B	030	12
750.1.113.1A	006	13	759.1.009.1A	025	6	771.1.039.1A	022	4	7715.065.8B	010	26	7715.667.8B	018	9
750.1.153.1A	030	14	759.1.023.1A	019	17	771.1.039.1A	027	24	7715.066.8B	014	11	7715.667.8B	019	20
750.1.155.1A	023	28	759.1.026.1A	028a	20	771.1.039.1A	028	33	7715.066.8B	015	13	7715.667.8B	031	21
750.1.158.1AA	025a	2	764.1.001.1A	020	24	771.1.044.1A	022	8	7715.067.OZ	002	28	7715.667.8B	034	13
750.1.159.1AA	025	13	764.1.011.2A	029	8	771.1.048.1A	017	2	7715.069.8B	005	5	7715.669.8B	039	4

Index

CODE No.	Drwg.	POS. N.	CODE No.	Drwg.	POS. N.	CODE No.	Drwg.	POS. N.	CODE No.	Drwg.	POS. N.	CODE No.	Drwg.	POS. N.
771.5.723.8B	029	27	772.1.114.1A	032	28	774.4.011.1A	034	22	779.1.151.1A	032	3	779.1.560.1A	023	19
771.5.723.9E	020	29	772.1.120.1A	004	3	775.1.007.1AB	021	15	779.1.162.2A	009	6	779.1.566.1B	037	13
771.5.725.2B	024	14	772.1.126.1A	038	12	775.1.011.1B	022	17	779.1.198.2A	009	7	779.1.569.1A	036	7
771.5.725.8B	026	7	772.1.135.1AA	020	40	775.1.016.1A	023	31	779.1.203.3A	002	7	779.1.631.1A	011	23
771.5.727.8B	026	13	772.4.039.8C	030	17	775.1.031.1B	010	36	779.1.205.1AB	031	19	779.1.650.1AD	010	54
771.5.731.8B	031	33	772.4.046.3C	034	26	775.1.054.1A	028	29	779.1.205.1AB	031a	15	779.4.005.3A	017	4
771.5.935.8C	033	2	772.4.048.3C	034	19	775.1.063.1A	025a	28	779.1.206.1AB	031	3	779.4.075.1A	011	14
771.5.941.8B	026	34	772.4.058.3C	030	9	775.1.066.1A	013	14	779.1.213.1A	030	13	779.5.030.2A	013	4
772.1.004.2B	032	19	772.5.032.1A	020	33	775.5.001.3C	021	1	779.1.237.1B	029	7	779.5.046.1A	028a	16
772.1.005.1B	025a	25	772.5.034.1B	010	50	775.5.016.1A	020	28	779.1.331.1D	028	25	779.5.062.1A	010	46
772.1.010.3A	008	8	772.5.071.8B	028a	17	775.5.021.1A	010	38	779.1.366.1AB	027	5	780.1.007.1A	020	18
772.1.042.3C	028a	1	772.5.097.8B	035	5	775.5.021.1A	013	15	779.1.366.1AB	028a	5	780.5.001.2A	005	17
772.1.045.1A	020	11	772.5.101.8B	026	28	775.5.021.3C	025a	22	779.1.366.1AB	029	1	780.5.010.1A	014	5
772.1.050.1B	018	1	772.5.102.3C	020	15	775.5.022.1A	032	12	779.1.397.1A	027	16	786.1.098.1A	007	10
772.1.059.1A	029	21	773.1.006.1A	025a	14	775.5.025.1A	020	48	779.1.397.1A	028	23	786.1.114.1A	007	6
772.1.062.1A	036	13	773.5.006.8B	016	9	775.5.025.1A	021	7	779.1.399.1A	025	4	787.1.011.1A	010	19
772.1.062.3B	031	8	773.5.038.8B	018	13	777.5.034.3B	035	3	779.1.404.1A	006	9	787.1.011.1A	039	10
772.1.062.3B	031a	8	773.5.038.8B	019	22	777.5.049.8C	011	10	779.1.415.1A	028	3	788.1.054.2A	012	4
772.1.063.1A	029	18	773.5.038.8B	034	6	778.4.004.1A	009	5	779.1.465.1A	028	28	788.1.104.1A	016	20
772.1.085.2C	032	2	773.5.039.3B	038	7	778.5.028.1A	026	2	779.1.501.1A	005	7	788.1.111.1C	013	11
772.1.085.3B	037	2	773.5.062.3B	027	10	779.1.026.2A	011	4	779.1.504.1A	033	5	788.1.115.1A	010	49
772.1.085.3B	038	20	773.5.062.3B	028	10	779.1.039.1A	002	3	779.1.535.1A	030	6	791.2.051.1A	007	5
772.1.085.3B	039	13	773.5.506.8B	020	30	779.1.092.1A	027	7	779.1.536.1A	030	4	797.1.053.1A	004	1
772.1.089.3B	020	36	774.4.004.1A	021	9	779.1.092.1A	028	13	779.1.537.1A	026	38	799.1.024.1A	031	12
772.1.103.1A	040	18	774.4.004.1A	023	17	779.1.109.2A	006	2	779.1.543.2B	035	13	799.1.024.1A	031a	11
772.1.104.1A	037	17	774.4.010.1A	023	24	779.1.133.1A	014	8	779.1.547.1A	006	4	799.1.048.5A	020	10
772.1.113.1A	039	12	774.4.010.1A	037	1	779.1.133.1A	015	8	779.1.555.1A	023	23	799.1.049.1A	002	1

Index

CODE No.	Drwg.	POS. N.	CODE No.	Drwg.	POS. N.	CODE No.	Drwg.	POS. N.	CODE No.	Drwg.	POS. N.	CODE No.	Drwg.	POS. N.
799.1.051.2A	006	6	814.1.111.3B	040	1	827.1.157.1A	040	15	830.1.542.2A	028a	4	840.1.021.1A	14/15	1
799.1.158.1B	017	6	814.1.114.1A	001c	8	827.1.161.1B	031	10	830.1.558.1A	011	20	840.1.022.1A	14/15	1
799.1.212.1A	014	13	814.1.183.1A	040	4	827.1.161.1B	031a	10	830.1.569.1A	028a	12	840.1.023.1A	14/15	1
799.1.212.1A	015	16	814.1.303.1A	016	5	827.1.433.1A	005	19	830.1.576.1B	028a	13	840.1.024.1A	14/15	1
799.1.278.1A	004	10	814.1.323.1A	016	19	827.1.478.1A	035	12	830.1.625.1A	020	6	840.1.025.1A	14/15	1
799.1.482.1A	002	20	815.1.022.1A	010	35	827.1.479.1A	035	9	831.1.015.1A	010	57	840.1.026.1A	14/15	1
799.1.489.1B	029	6	815.1.022.1A	039	9	827.1.482.1A	023	20	832.1.026.1B	032	14	840.1.027.1A	14/15	1
799.1.499.1A	031	6	815.1.028.1A	009	16	827.1.493.1A	022	18	840.1.001.1A	14/15	1	840.1.028.1A	14/15	1
799.1.499.1A	031a	6	818.1.032.1A	004	5	827.1.603.1A	010	51	840.1.002.1A	14/15	1	840.1.029.1A	14/15	1
799.1.502.1A	014	7	819.1.043.1A	025	11	827.1.618.1A	030	16	840.1.003.1A	14/15	1	840.1.030.1A	14/15	1
799.1.502.1A	015	9	819.Z.001.1B	025a	6	827.1.620.1A	029	26	840.1.004.1A	14/15	1	840.1.031.1A	14/15	1
799.2.077.2A	009	14	821.1.001.1A	002	26	829.1.260.2A	017	8	840.1.005.1A	14/15	1	840.1.032.1A	14/15	1
799.2.159.1B	017	7	821.1.090.1B	031	4	829.1.708.1A	027	9	840.1.006.1A	14/15	1	840.1.033.1A	14/15	1
799.4.012.1A	010	56	821.1.090.1B	031a	4	829.1.961.1A	034	10	840.1.007.1A	14/15	1	840.1.034.1A	14/15	1
8000.53724	027	20	821.1.103.2A	017	9	829.1.963.1A	033	3	840.1.008.1A	14/15	1	840.1.041.2B	14/15	2
8000.53724	029	24	821.1.170.1B	029	5	829.1.964.1B	019	6	840.1.009.1A	14/15	1	840.1.042.2B	14/15	2
8000.53724	034	4	821.1.170.1B	031	26	829.1.967.3AB	022	16	840.1.010.1A	14/15	1	840.1.043.2B	14/15	2
8000.56443	027	13	821.1.309.3A	012	8	829.1.968.1A	021	8	840.1.011.1A	14/15	1	840.1.044.2B	14/15	2
8000.56443	028	18	821.Z.001.1B	014	15	829.1.969.1B	030	15	840.1.012.1A	14/15	1	840.1.045.2B	14/15	2
8000.66774	026	27	821.Z.001.1B	015	10	829.1.971.1A	021	5	840.1.013.1A	14/15	1	840.1.046.2B	14/15	2
8000.68490	028	14	824.1.178.1A	031a	14	829.1.976.1B	022	26	840.1.014.1A	14/15	1	840.1.047.2B	14/15	2
8000.70139	001a	8	824.1.179.1A	031	18	829.1.977.1A	028	11	840.1.015.1A	14/15	1	840.1.048.2B	14/15	2
8000.78345	026	15	824.1.180.1A	031a	12	829.1.991.1A	034	23	840.1.016.1A	14/15	1	840.1.049.2B	14/15	2
801.1.027.1A	016	4	824.1.181.1A	031	32	829.1.992.1A	034	20	840.1.017.1A	14/15	1	840.1.050.2B	14/15	2
801.1.031.1A	016	16	825.1.043.1A	025a	17	829.1.A07.1B	030	8	840.1.018.1A	14/15	1	840.1.051.2B	14/15	2
808.1.046.1A	032	15	826.1.012.1A	010	11	830.1.364.1A	022	6	840.1.019.1A	14/15	1	840.1.052.2B	14/15	2
811.1.002.1A	010	52	826.1.029.2A	002	33	830.1.479.1A	028	27	840.1.020.1A	14/15	1	840.1.053.2B	14/15	2

Index

CODE No.	Drwg.	POS. N.	CODE No.	Drwg.	POS. N.	CODE No.	Drwg.	POS. N.	CODE No.	Drwg.	POS. N.	CODE No.	Drwg.	POS. N.
840.1.054.2B	14/15	2	840.1.081.2B	14/15	2	852.1.002.1B	032	17	852.1.104.2I	006	11	852.5.004.1C	020	43
840.1.055.2B	14/15	2	840.1.082.2B	14/15	2	852.1.003.1B	032	17	852.1.104.2J	006	11	852.5.005.1A	009	18
840.1.056.2B	14/15	2	840.1.083.2B	14/15	2	852.1.005.1A	002	14	852.1.120.1A	009	3	852.5.023.1A	014	23
840.1.057.2B	14/15	2	840.1.084.2B	14/15	2	852.1.024.1A	021	14	852.1.135.1A	005	10	852.5.023.1A	015	22
840.1.058.2B	14/15	2	840.1.085.2B	14/15	2	852.1.049.1B	026	35	852.1.151.1A	029	12	852.5.023.1A	040	13
840.1.059.2B	14/15	2	840.1.086.2B	14/15	2	852.1.053.2A	002	2	852.1.151.1A	031	20	852.5.024.1A	002	5
840.1.060.2B	14/15	2	840.1.087.2B	14/15	2	852.1.055.1A	025a	24	852.1.157.1A	032	5	852.5.024.1A	005	16
840.1.061.2B	14/15	2	847.4.002.1A	031	9	852.1.057.1A	025	14	852.1.160.1B	023	25	852.5.024.1A	020	19
840.1.062.2B	14/15	2	847.4.002.1A	031a	9	852.1.058.2A	025a	3	852.1.172.1A	009	11	852.5.024.1A	027	17
840.1.063.2B	14/15	2	847.4.006.1A	010	58	852.1.059.1A	025a	15	852.1.173.1A	013	2	852.5.024.1A	028	4
840.1.064.2B	14/15	2	848.5.001.1A	031	23	852.1.065.1B	031	11	852.1.174.1A	009	9	852.5.024.1A	028a	11
840.1.065.2B	14/15	2	848.5.002.1A	031	16	852.1.065.1C	035	14	852.1.176.1A	011	15	852.5.024.1A	029	2
840.1.066.2B	14/15	2	850.1.015.1A	029	11	852.1.072.1B	020	35	852.1.176.1A	022	22	852.5.026.1A	011	5
840.1.067.2B	14/15	2	850.4.038.1A	018	8	852.1.094.1A	002	19	852.1.176.1A	027	23	852.5.027.1A	030	21
840.1.068.2B	14/15	2	850.4.038.1A	020	32	852.1.103.1A	026	4	852.1.176.1A	028	32	852.5.040.1A	026	36
840.1.069.2B	14/15	2	850.4.047.1A	021	12	852.1.104.1A	006	11	852.1.176.1A	038	23	852.5.042.1A	010	44
840.1.070.2B	14/15	2	850.4.047.1A	022	12	852.1.104.1B	006	11	852.1.186.1A	020	41	853.1.003.1A	010	40
840.1.071.2B	14/15	2	850.4.047.1A	023	15	852.1.104.1H	006	11	852.1.195.1A	005	14	853.5.010.1A	012	2
840.1.072.2B	14/15	2	850.4.047.1A	038	4	852.1.104.1K	006	11	852.1.195.1A	009	13	853.5.010.1A	019	24
840.1.073.2B	14/15	2	850.4.052.1A	023	12	852.1.104.1L	006	11	852.1.196.1B	035	6	855.4.001.1A	037	18
840.1.074.2B	14/15	2	850.4.055.1A	038	18	852.1.104.1M	006	11	852.1.218.1A	038	16	855.5.000.1B	018	2
840.1.075.2B	14/15	2	850.4.067.1A	030	2	852.1.104.1N	006	11	852.1.246.1A	010	55	855.5.000.1B	022	2
840.1.076.2B	14/15	2	851.1.004.1A	003	13	852.1.104.2C	006	11	852.1.246.1A	013	22	856.1.001.1A	003	6
840.1.077.2B	14/15	2	851.1.013.1A	008	11	852.1.104.2D	006	11	852.1.251.1A	023	14	856.1.031.1A	003	16
840.1.078.2B	14/15	2	851.1.020.1A	004	8	852.1.104.2E	006	11	852.1.290.1A	020	20	856.1.062.2A	008	16
840.1.079.2B	14/15	2	851.4.003.1A	006	12	852.1.104.2F	006	11	852.1.297.1A	013	13	856.1.064.2A	010	7
840.1.080.2B	14/15	2	852.1.001.1B	032	17	852.1.104.2G	006	11	852.4.013.1A	023	9	856.1.071.1A	012	9

Index

CODE No.	Drwg.	POS. N.	CODE No.	Drwg.	POS. N.	CODE No.	Drwg.	POS. N.	CODE No.	Drwg.	POS. N.	CODE No.	Drwg.	POS. N.
856.1.074.2A	013	20	877.1.150.1A	029	16	886.5.013.1A	010	37	88713.2906	001	6	893.4.005.1A	029	22
856.1.075.1A	012	17	881.1.012.1A	002	32	886.5.048.1A	036	9	88713.2916	001	24	894.2.009.1A	009	19
856.1.127.1A	038	13	881.1.034.1A	012	18	88700.5749	001	20	88713.3166	001a	10	895.2.021.1A	035	2
856.1.139.1A	004	2	881.1.063.1A	011	7	88713.0944	001	7	88713.3203	001a	3	913.7.167.1F	037	6
860.5.025.1A	004	18	882.1.003.1A	008	14	88713.1010	001a	14	88713.3204	001a	11	930.1.004.1B	026	5
863.1.001.1D	025a	11	884.4.007.1A	032	4	88713.1038	001a	4	88713.3218	001	1	930.4.021.1A	005	9
866.1.030.1A	019	7	884.4.011.1A	007	2	88713.1058	001a	7	88713.3334	001	21	930.4.022.1A	010	13
866.1.030.1A	028a	18	884.4.053.1A	010	4	88713.1062	001a	9	88713.3352	001	27	930.4.061.1A	013	7
866.1.030.1A	034	25	884.5.003.1A	020	31	88713.1068	001a	2	88713.3367	001	26	930.4.093.1A	010	22
866.1.030.1A	037	11	884.5.003.1A	031	5	88713.1072	001a	1	88713.3394	001	25	930.4.123.1A	010	16
866.1.036.1A	034	27	884.5.003.1A	031a	5	88713.1073	001a	5	88713.3396	001a	12	930.4.150.1A	025	17
866.1.098.1A	019	12	884.5.004.1A	025a	18	88713.1344	001a	13	88713.3408	001	29	93783.1524	011	11
866.1.099.1A	035	15	884.5.013.1A	005	11	88713.1749	001	22	88713.3417	001	19	94247.0014	010	5
866.1.112.1A	030	18	884.5.034.1A	002	22	88713.1805	001	10	88713.3521	001	11	94247.0035	011	24
866.4.003.1A	028a	14	886.4.033.1A	010	23	88713.1994	001	4	88765.1000	001	28	97900.0002	001b	2
866.4.005.1A	028a	15	886.4.037.1A	009	4	88713.2011	001	17	88765.1005	001	28	97900.0003	001c	23
866.4.007.1A	035	4	886.4.064.1A	023	13	88713.2090	001	23	88765.1006	001	28	97900.0215	001b	1
872.1.053.1A	018	16	886.4.116.1A	029	29	88713.2092	001	14	88765.1126C	001c	24	97900.0216	001b	5
872.1.058.1A	026	21	886.4.116.1A	031	25	88713.2103	001	3	88765.1126T	001c	16	97900.0217	001b	15
872.1.060.1A	032	7	886.4.132.1A	005	12	88713.2282	001	12	88765.1298	001	18	97900.0218	001c	18
872.4.056.1A	030	22	886.4.132.1A	009	12	88713.2409	001a	6	88765.1371	001b	3	97900.0219	001b	10
873.1.037.1A	009	2	886.4.132.1A	010	28	88713.2422	001	16	88765.1374	001b	4	97900.0220	001c	21
875.1.065.1A	001c	3	886.4.138.1A	014	9	88713.2442	001	9	88765.1581	001	13	97900.0221	001c	22
875.1.146.1A	010	41	886.4.138.1A	015	11	88713.2672	001	8	88765.1657	001	5	97900.0222	001b	9
876.1.104.1B	034	2	886.4.148.1A	016	14	88713.2676	001	2	893.2.006.2A	010	45	97900.0223	001b	11
877.1.068.1A	027	15	886.4.173.1A	004	17	88713.2834	001	30	893.2.012.1A	005	15	97900.0224	001b	6
877.1.111.1A	028	17	886.5.003.1A	025a	16	88713.2878	001	15	893.4.005.1A	027	11	97900.0225	001b	8

Index

CODE No.	Drwg.	POS. N.	CODE No.	Drwg.	POS. N.	CODE No.	Drwg.	POS. N.	CODE No.	Drwg.	POS. N.	CODE No.	Drwg.	POS. N.
97900.0226	001b	12												
97900.0227	001c	25												
97900.0227S	001c	7												
97900.0228	001c	12												
97900.0229	001b	13												
97900.0230	001c	20												
97900.0231	001c	17												
97900.0232	001b	7												
97900.0234	001b	14												